



Replacement parts list

VICTOR, Model B50MX

Birmingham Small Arms Company Incorporated
P.O. Box 6790
Towson
Baltimore
Maryland 21204
U.S.A.

Birmingham Small Arms Company Incorporated
P.O. Box 275
Duarte
California 91010
U.S.A.

© Copyright reserved

International Triumph-B.S.A. (Parts and Service) Limited
Parts Department
Montgomery Street
Birmingham B11 1DZ
England.

Telephone
021-772 0559/0537

Telegrams
"Selmoto", Birmingham

1973 Publication
Ref. 00-5736

Please Note!

Replacement parts or accessories must be as manufactured or approved by International Triumph/BSA (Parts and Service) Ltd.

In this respect your attention is drawn to the Terms and Conditions of International Triumph/BSA Guarantee.

THREADS

Details of thread form and size are quoted after description of nuts, bolts, screws, studs and washers. Such as 14-7006 Socket screw (1/4in U.N.C. x 1in) = 1/4in diameter unified coarse thread, 1in long under head

MATERIALS

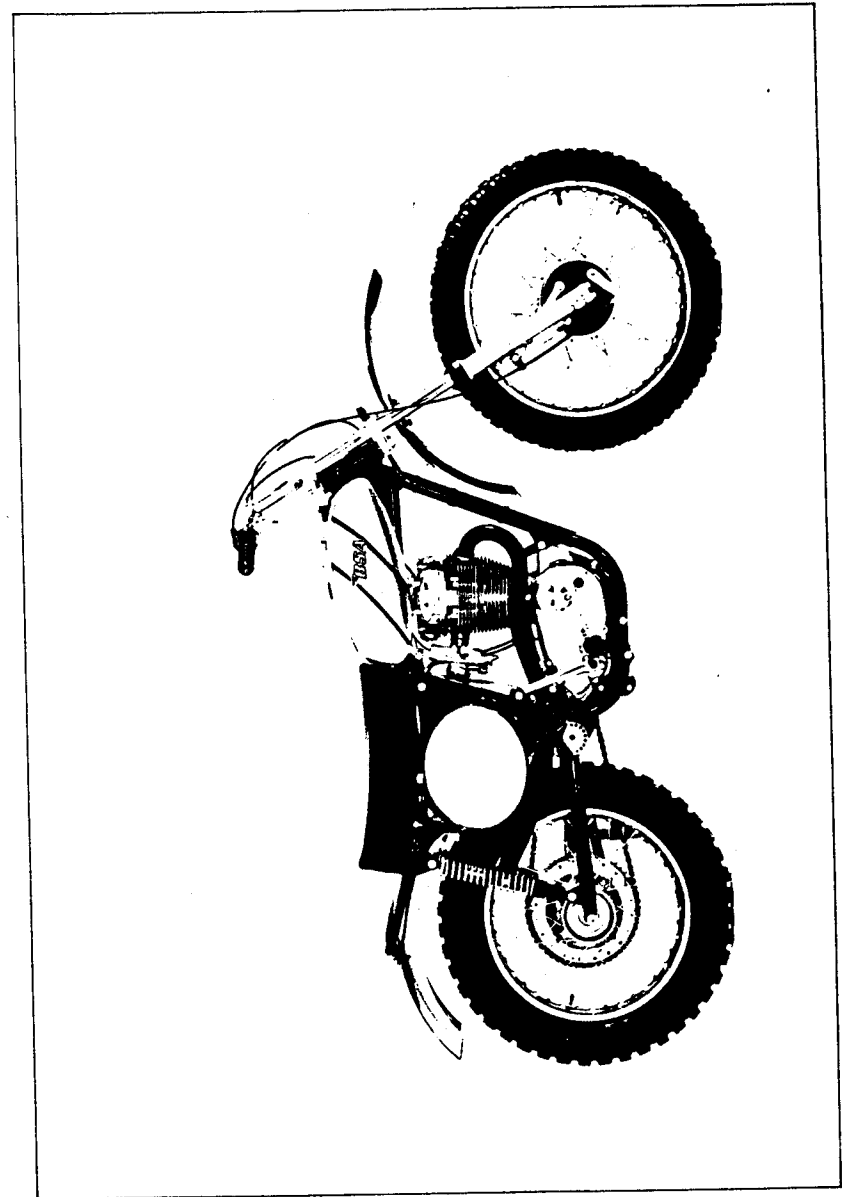
Vital components, which are manufactured from a special material, are indicated by a sign and the British Standard symbol for the material is quoted at the foot of the page.

ABBREVIATIONS - SCREW THREADS

B.A.	=	British Association
B.S.C.	=	British Standard Cycle
B.S.F.	=	British Standard Fine
W.F.	=	Whitworth Form
U.N.F.	=	Unified Fine
U.N.C.	=	Unified Coarse
U.N.S.	=	Unified Special

SERVICE TOOLS

A complete range of Service tools is contained in the Service Tool Catalogue publication No. 00 5726



CARBURETTERS

AMAL LIMITED, HOLDFORD ROAD, WITTON, BIRMINGHAM 6.

CHAINS

RENOLD LIMITED, WYTHENSHAW, MANCHESTER.

CONTROLS

DOHERTY MOTOR CYCLE ACCESSORIES LIMITED, ASTON, BIRMINGHAM 18.

ELECTRICAL EQUIPMENT

JOSEPH LUCAS (SALES AND SERVICE) LIMITED, GREAT HAMPTON STREET, BIRMINGHAM 18.

REAR SUSPENSION UNITS

GIRLING LIMITED (SALES AND SERVICE), BIRMINGHAM ROAD, WEST BROMWICH, STAFFORDSHIRE.

SPEEDOMETERS

SMITH'S INDUSTRIES LIMITED, MOTOR ACCESSORY DIVISION, 50 OXGATE LANE, LONDON N W 1

SPARKING PLUGS

CHAMPION SPARKING PLUG CO. LIMITED, FELTHAM, MIDDLESEX.

TYRES

DUNLOP COMPANY LIMITED, FORT DUNLOP, BIRMINGHAM 24

ASSEMBLIES COMPLETE

Spares No.	Description
00 7009	LOCTITE PLASTIC GASKET (10 bottle trade pack).
00 7007	B.S.A. LOCTITE (10 tube trade pack).
00 3174	GASKET SET DECARBONISING.
00 3316	GASKET SET FULL OVERHAUL.
71 3659	ENGINE UNIT, LESS CARBURETTOR AND EXHAUST SYSTEM.
71 1870	CRANKCASE COMPLETE WITH FIXED FITTINGS.
71 3001	OIL PUMP COMPLETE.
71 1675	FLYWHEEL AND CONNECTING ROD ASSEMBLY.
71 2586	CONNECTING ROD AND BIG-END ASSEMBLY.
57 4302	CLUTCH ASSEMBLY COMPLETE.
83 5108	FRAME COMPLETE.
97 4512	FRONT FORK COMPLETE.
37 4186	FRONT WHEEL LESS BRAKE.
37 4185	FRONT WHEEL WITH BRAKE.
37 4187	FRONT HUB WITH SPINDLE AND BEARINGS.
37 3959	REAR WHEEL LESS BRAKE.
37 3960	REAR WHEEL WITH BRAKE.
37 3908	REAR HUB WITH SPINDLE AND BEARING.
00 5220	TACHOMETER KIT.
60 4269	CARBURETTOR COMPLETE.
83 5184	AIR FILTER BOX COMPLETE, WITH FILTER.

PISTON CHART

PISTON COMPLETE

Compression Ratio	Standard	+ 1/2 mm.	+ 1 mm.
8.5 : 1	71-2745	71-2749	71-2751

PISTON RINGS (STANDARD)

COMPRESSION (2) Taper	SCRAPER
71-2152	71-2155

PISTON RINGS (+ 1/2 mm.)

COMPRESSION (2) Taper	SCRAPER
71-2153	71-2156

PISTON RINGS (+ 1 mm.)

COMPRESSION (2) Taper	SCRAPER
71-2154	71-2157

Note: - To standard specification, the engine includes a compression plate fitted between the cylinder barrel and the crankcase, and in this condition the compression ratio is as given above.

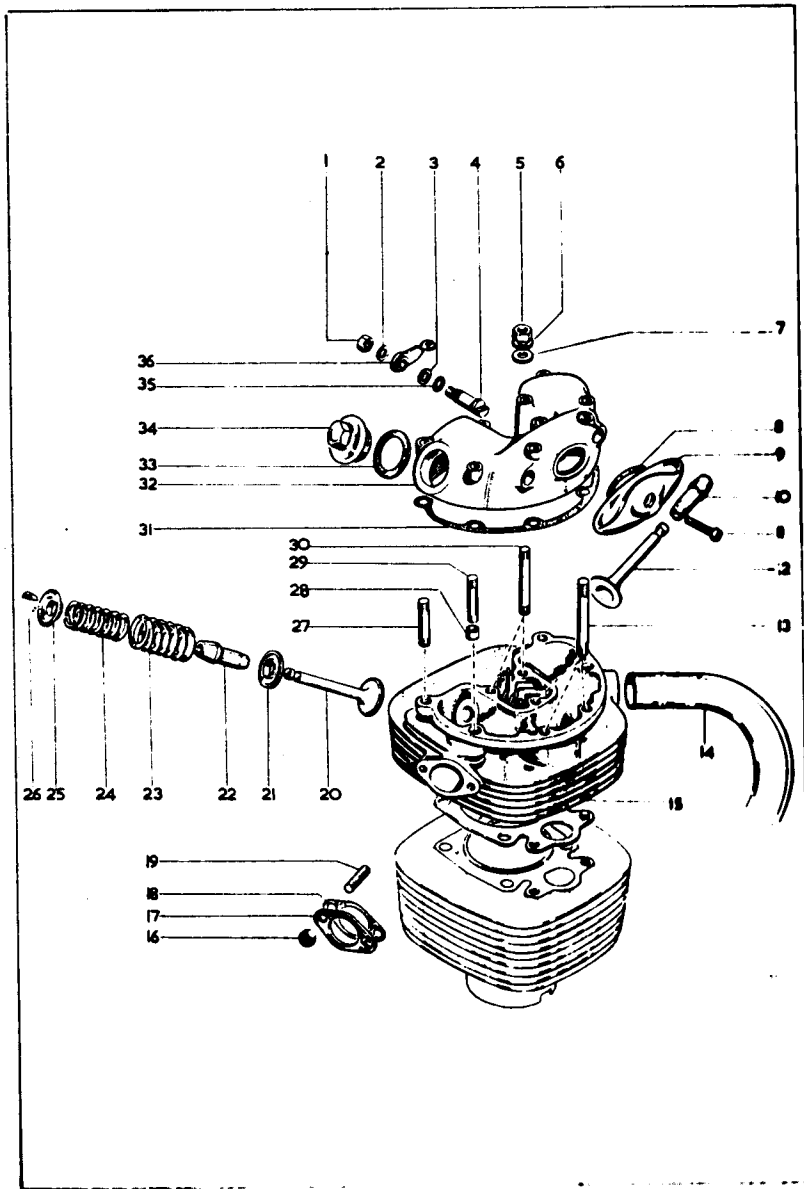
CARBURETTER

Spares No	Makers No.	Main Jet	Throttle Slide	Needle Jet	Needle Position
60 4269	M932/28	250	1 1/2	106	1

INDEX

	Page
ASSEMBLIES COMPLETE	5
Plate 1 CYLINDER HEAD - EXHAUST PIPE	8
Plate 2 CYLINDER - CRANKSHAFT - ROCKERS	10
Plate 3 CRANKCASE	12
Plate 4 OIL PUMP - SUMP - GEARBOX SPROCKET	16
Plate 5 GEAR CLUSTER	18
Plate 6 GEARCHANGE MECHANISM	20
Plate 7 KICKSTART - GEARCHANGE	22
Plate 8 CLUTCH - PRIMARY COVER	26
Plate 9 FRAME - ENGINE SHIELD	28
Plate 10 SWINGING ARM - REAR SUSPENSION - REAR BRAKE CONTROL - FOOTRESTS - SILENCERS	30
Plate 11 AIR FILTER - OIL PIPES - NUMBER PLATES - MUDGUARDS	34
Plate 12 FRONT FORKS	38
Plate 13 FRONT WHEEL	40
Plate 14 REAR WHEEL - CHAIN GUIDE	42
Plate 15 FUEL TANK - SEAT - CONTROLS	44
Plate 16 ELECTRICAL EQUIPMENT AND SUNDRIES	48
Plate 17 CARBURETTER	50

CYLINDER HEAD - EXHAUST PIPE

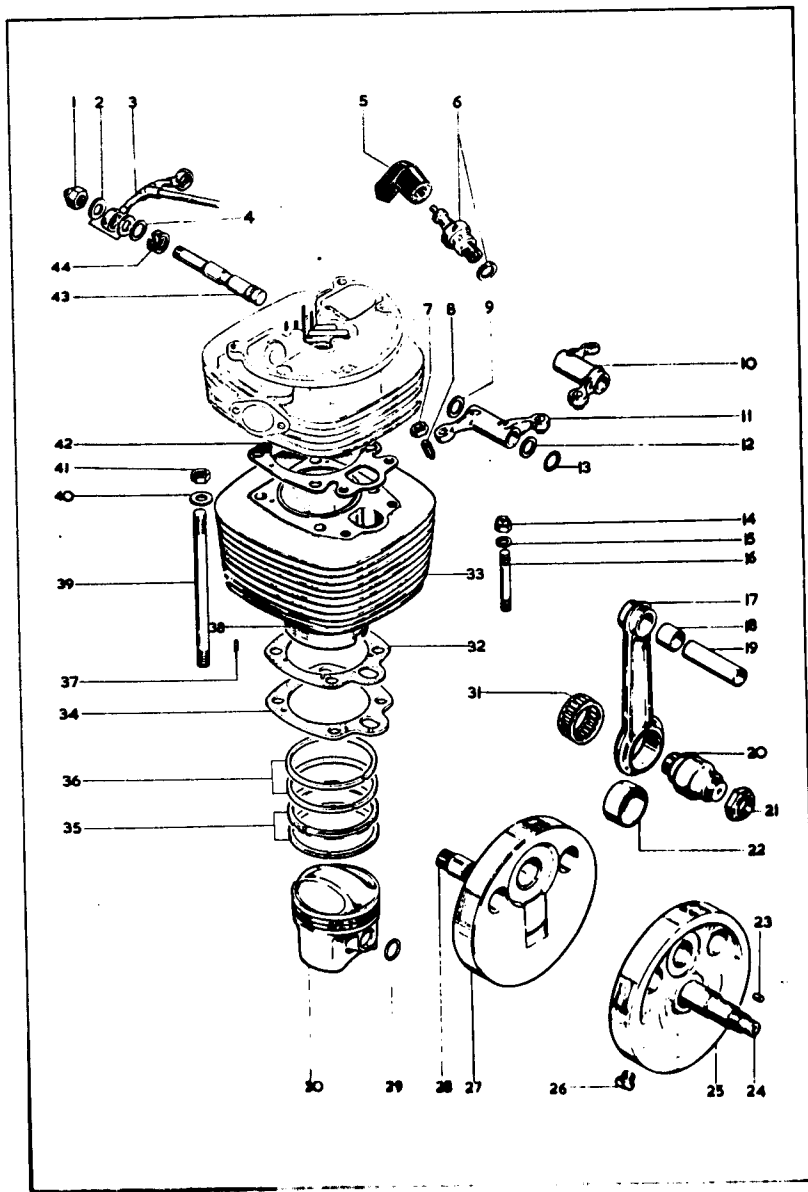


CYLINDER HEAD - EXHAUST PIPE

Key No.	Spares No.	Description	Per Set
1	60 0965	Nut - valve lifter (1/4in B.S.C.)	1
2	70 8072	Washer - valve lifter (.255in x .500in x .048in)	1
3	82 8981	Washer - valve lifter (.328in x .505in x .048in)	1
4	40 0417	Spindle - exhaust valve lifter	1
5	14 0302	Nut - rocker box (5/16in U.N.F.)	7
5	14 0402	Nut - rocker box, steady bracket	2
6	60 2428	Spring washer - rocker box nut	9
7	60 2330	Washer - rocker box nut (.333in x .625in x .040in)	9
8	71-1429	Gasket - rocker inspection cover	1
9	40 0208	Cover - push rod inspection	1
10	71 1627	Valve guide - exhaust	1
11	14 6610	Screw - push rod inspection cover (1/4in UN.C. x 1 1/2in)	1
12	71 1736	Exhaust valve	1
13	21-2135	Stud - cylinder head (5/16in UN.C./UN.F. x 3 1/16in)	3
14	71-3801	Exhaust pipe, complete with bracket	1
15	71-1732	Cylinder head with fixed fittings	1
16	14-0302	Nut - carburettor fixing (5/16in UN.F.)	2
17	71-2592	"Tufnol" washer - carburettor joint	1
18	71 2593	Gasket - carburettor joint	1
19	14 1619	Carburettor stud (5/16in UN.C./UN.F. x 1 1/4in)	2
20	71-1735	Inlet valve	1
21	68-0931	Cup - valve spring, bottom	2
22	71-1626	Valve guide - inlet	1
23	65 2494	Valve spring - outer	2
24	65 2495	Valve spring - inner	2
25	71-1165	Collar - valve spring, top	2
26	71-1166	Collet - valve spring	4
27	21-2133	Stud - cylinder head (5/16in UN.F./UN.C. x 2 9/16in)	2
28	71-1989	Dowel - cylinder head studs	2
29	21 2134	Stud - cylinder head (5/16in UN.C./UN.F. x 2 13/16in)	2
30	21-2092	Stud - rocker box (5/16in UN.C./UN.F. x 3 1/4in)	2
31	71-1623	Gasket - rocker box	1
32	71-3255	Rocker box	1
33	97-3765	"O" ring - valve inspection cap	2
34	71-3256	Cap - valve inspection	2
35	70 8158	"O" ring - valve lifter spindle	1
36	71-2938	Lever - exhaust valve lifter	1
	60 2428**	Spring washer - carburettor fixing nut	2

**Not illustrated.

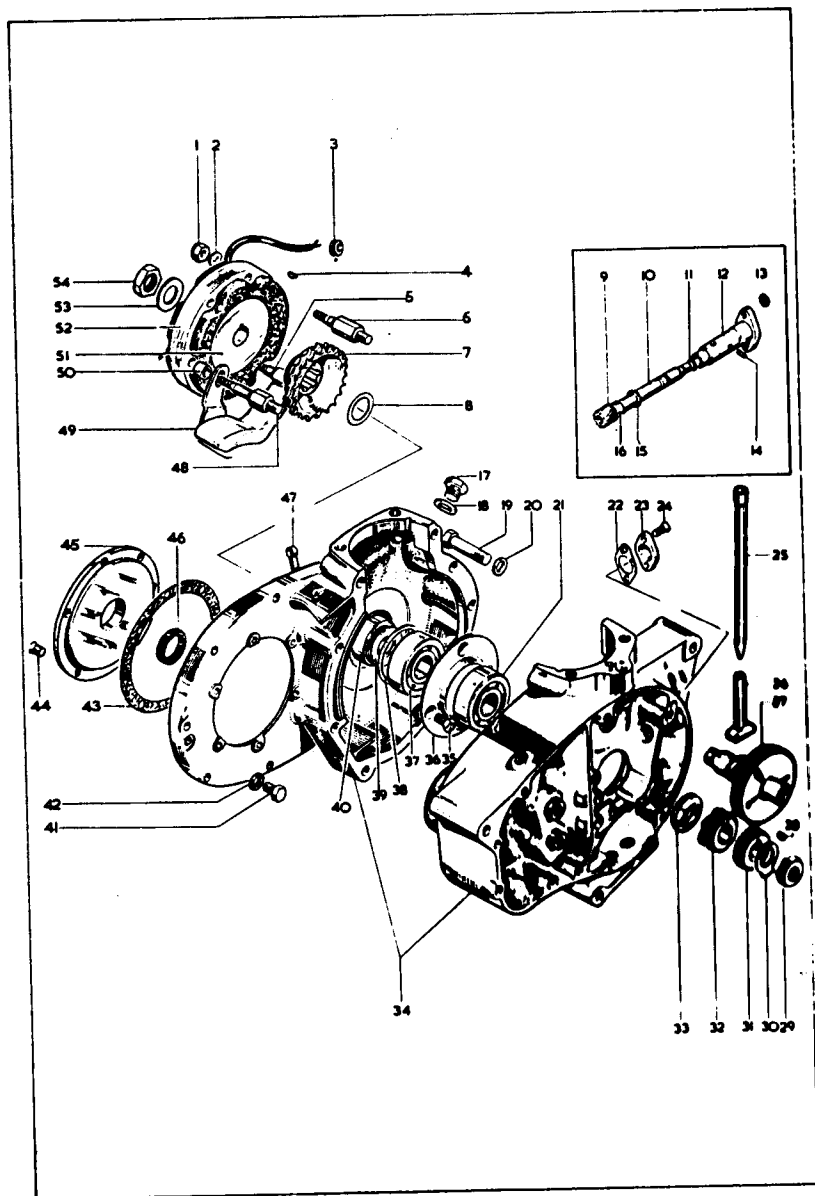
CYLINDER - CRANKSHAFT - ROCKERS



CYLINDER - CRANKSHAFT - ROCKERS

Key No.	Spares No.	Description	Per Set
1	70-1435	Nut - rocker spindle (domed 3/8in B.S.C.)	2
2	70-1335	Copper washer - oil feed union	2
3	41-0807	Rocker oil feed pipe	1
4	70-1335	Copper washer - oil feed union	2
5	60-0262	Spark plug cover - Champion WC200	1
6	19-7606	Spark plug - Champion N3 (with washer)	1
7	24-0563	Nut - rocker adjusting screw (5/16in B.S.C.)	2
8	68-0155	Screw - rocker adjusting (5/16in B.S.C.)	2
9	70-1330	Thrust washer - rocker spindle	2
10	40-0296	Rocker complete - exhaust	1
11	40-0292	Rocker complete - inlet	1
12	70-1575	Thrust washer - rocker spindle	2
13	40-0148	"O" ring - rocker spindle	2
14	14-1302	Nut - cylinder barrel stud (5/16in UN.F.)	2
15	70-8215	Washer - cylinder barrel stud (.328in x .563in x .093in)	2
16	21-2034	Stud - cylinder barrel (5/16in UN.C./UN.F. x 3 1/8in)	2
17	71-1635	Connecting rod complete	1
18	66-0492	Bush - connecting rod small-end	1
19	71-2747	Gudgeon pin	1
20	71-1616	Crankpin	1
21	41-0588	Nut - crankpin	2
22	71-1199	Bush - connecting rod big-end	1
23	41-0551	Peg - crankpin location	1
24	71-1681	Engine shaft - right	1
25	71-1677	Flywheel complete - right	1
26	71-1678	Flywheel plug	1
27	71-1676	Flywheel complete - left	1
28	71-1632	Engine shaft - left	2
29	71-2970	Circlip - gudgeon pin locating	2
30	71-2745*	Piston complete (standard)	1
31	70-7850	Needle roller - big-end bearing	1
32	71-1624	Gasket - cylinder liner	1
33	71-1219	Cylinder barrel complete	1
34	71-3634	Compression plate	1
35	71-2155*	Piston ring - scraper, (standard) (Comprising 2 parts)	1
36	71-2152*	Piston ring - taper (standard)	2
37	71-2549	Peg - cylinder liner	1
38	71-1218	Liner - cylinder barrel	1
39	21-2033	Stud - cylinder head and barrel fixing (7/16in UN.F./UN.C. x 7 3/8in)	4
40	41-0639	Washer - cylinder barrel (.440in x .781in x .128in)	4
41	14-0304	Nut - cylinder barrel (7/16in UN.F.)	4
42	71-1625	Gasket - cylinder head	1
43	40-0294	Rocker spindle - inlet and exhaust	2
44	70-1574	Spring washer - rocker spindle	2
	71-1675	Flywheel and connecting rod assembly	1
	71-2586	Connecting rod and crankpin assembly	1

*See page 6 for piston details

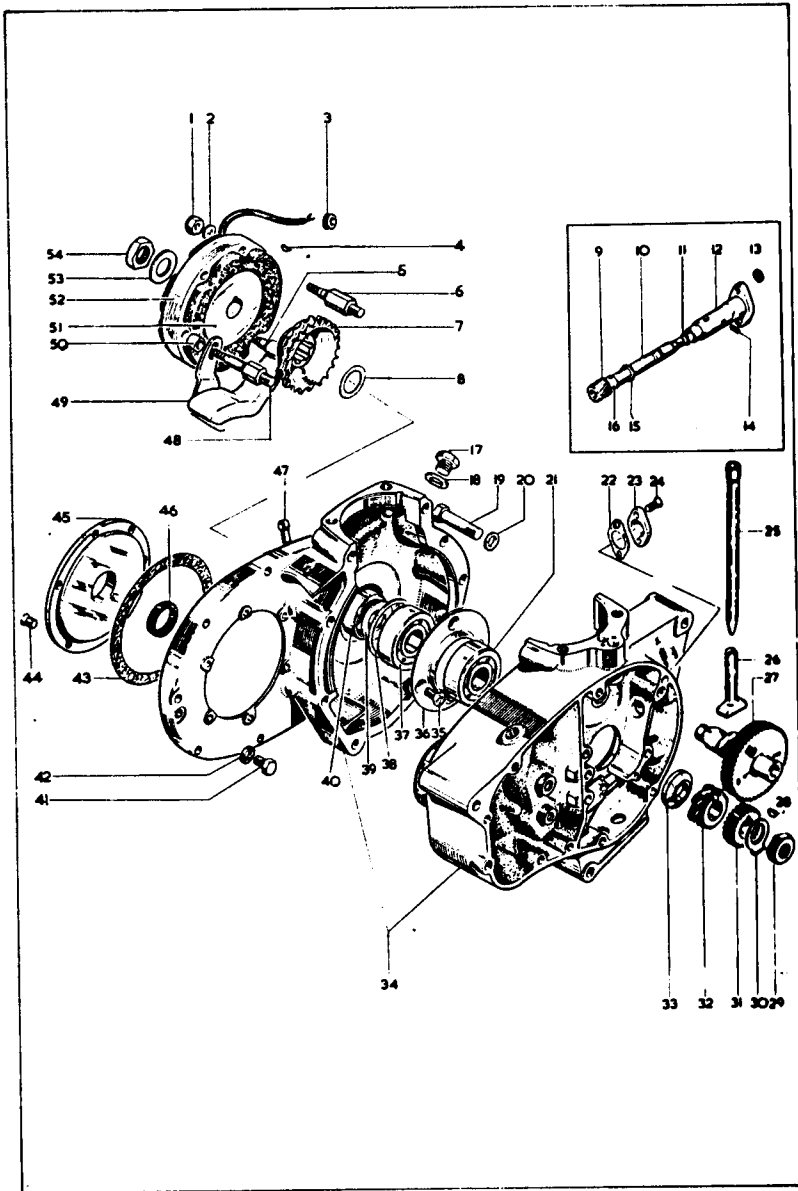


Key No.	Spares No.	Description	Per Set
1	14 1901	Nut stator fixing (1/4in UN.F.)	3
2	70 8072	Washer stator fixing (.255in x .500in x .048in)	3
3	70 8148	Grommet alternator lead	1
4	70 8144	Key alternator rotor	1
5	21-1896	Stud stator fixing, bottom	1
6	21-1895	Stud stator fixing, front	1
7	71 1634	Engine sprocket 28 teeth	1
8	71-1630	Shim (.015in) engine sprocket	as reqd.
8	71-1629	Shim (.030in) engine sprocket	as reqd.
	71-3231*	Tachometer drive assembly complete	1
9	70-9382	Gear tachometer drive shaft	1
10	71-3233	Tachometer drive shaft	1
11	70 9430	"O" ring drive shaft	1
12	71-3232	Housing tachometer drive shaft	1
13	70 8256	Sealing washer drive shaft	1
14	70 9431	Pin drive shaft locating	1
15	70 9383	Thrust washer drive shaft	1
16	70 9429	Pin - drive gear retaining	1
17	21-1872	Plug - timing aperture	1
18	70-8896	Washer - timing aperture plug	1
19	14-6219	Bolt - crankcase (5/16in UN.C. x 1 1/2in)	3
20	70 8088	Washer - crankcase bolt (.317in x .625in x .064in)	3
21	70 9974	Bearing - roller, right (Hoffmann R325L)	1
22	71-1422	Gasket - tachometer drive	1
23	70-9384	Plate - tachometer drive cover	1
24	57-1150	Screw tachometer drive (2B.A. x 27/64in countersunk)	2
25	71-3657	Push rod inlet and exhaust	2
26	71-2513	Tappet - inlet and exhaust	2
27	71 1680	Cams shaft complete	1
28	70-1580	Key crankshaft pinion	1
29	21 2039	Nut crankshaft, right (5/8in UN.F.)	1
30	70-8043	Lockwasher - crankshaft nut	1
31	70-8040	Pinion - crankshaft	1
32	70-8041	Oil pump drive - crankshaft	1
33	70-9975	Distance piece - oil pump drive	1
34	†71-1870	Crankcase complete with fixed fittings	1
35	14-6502	Screw - bearing retaining ring (1/4in UN.C. x 1/2in)	4
36	71-2649	Retaining ring - left, crankcase bearing	1
37	70-9974	Bearing - roller, left, inner (Hoffmann R325L)	1
38	71-2650	Distance piece - left, crankcase bearings, outer races	1
39	71-1631	Distance piece - left, crankcase bearings, inner races	1
40	37-2363	Bearing - ball, left, outer (Hoffmann LS9)	1
41	14 6102	Bolt - chain oiler blanking (1/4in UN.C. x 5/8in)	1
42	70 8180	Fibre washer - chain oiler blanking	1
43	71-1419	Gasket - primary chaincase backplate	1
44	70-3821	Screw primary chaincase backplate (2B.A. x 5 1/16in)	6
45	70-3789	Backplate - primary chaincase	1
46	70-3833	Oil seal - primary chaincase backplate	1
47	70-8147	Clip alternator lead	1
48	21 1894	Stud stator fixing, rear	1

* See page 5 for tachometer kit complete

†Crankcase halves not supplied separately.

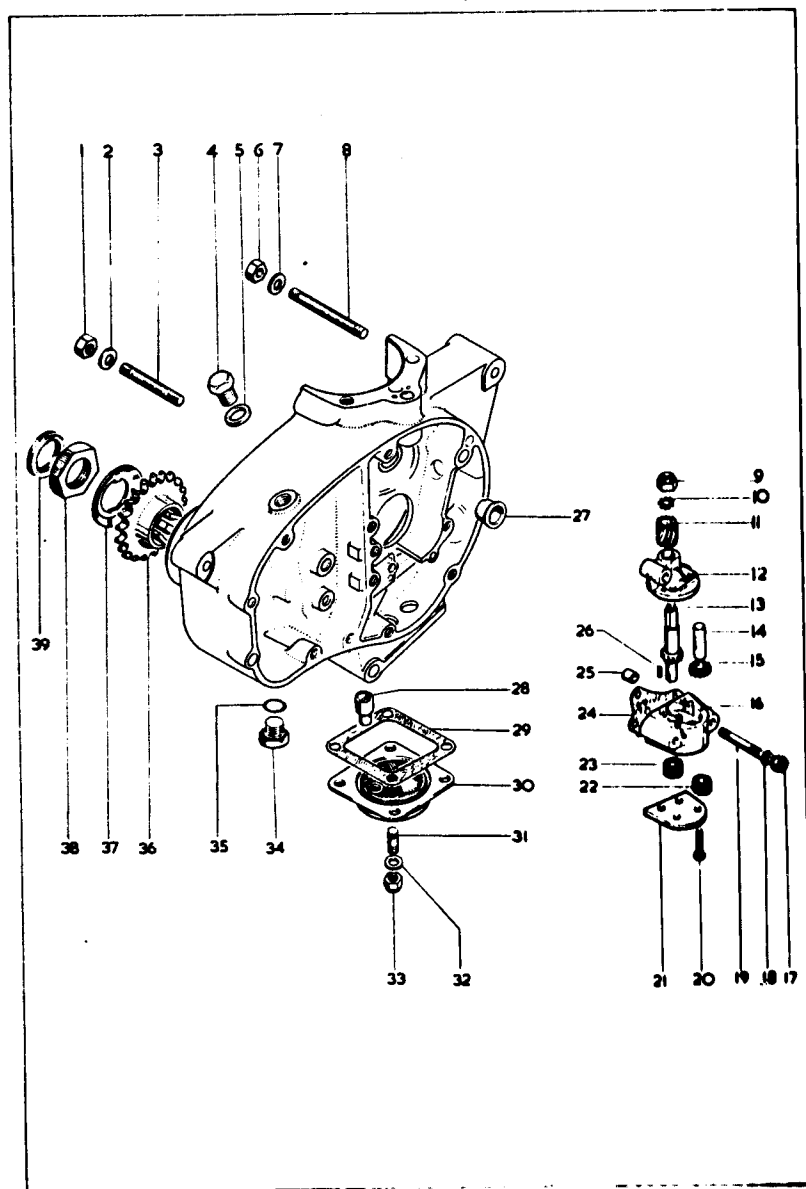
CRANKCASE



CRANKCASE

Key No.	Spares No.	Description	Per set
49	76-8184	Primary chain tensioner	1
50	70-8143	Distance piece - generator (.470in)	1
50	71-2923	Distance piece - chain tensioner (.62in)	1
51	19-8019	Alternator rotor (Lucas 54213901)	1
52	19-1286	Alternator stator (Lucas 47230)	1
53	71-1731	Lockwasher - rotor fixing	1
54	21-2066	Nut - rotor fixing (5/8in UN.F.)	1
	60-3921**	Bolt - Tachometer drive fixing	2
	60-2426**	Spring Washer - Tachometer drive fixing bolt	2

**Not illustrated

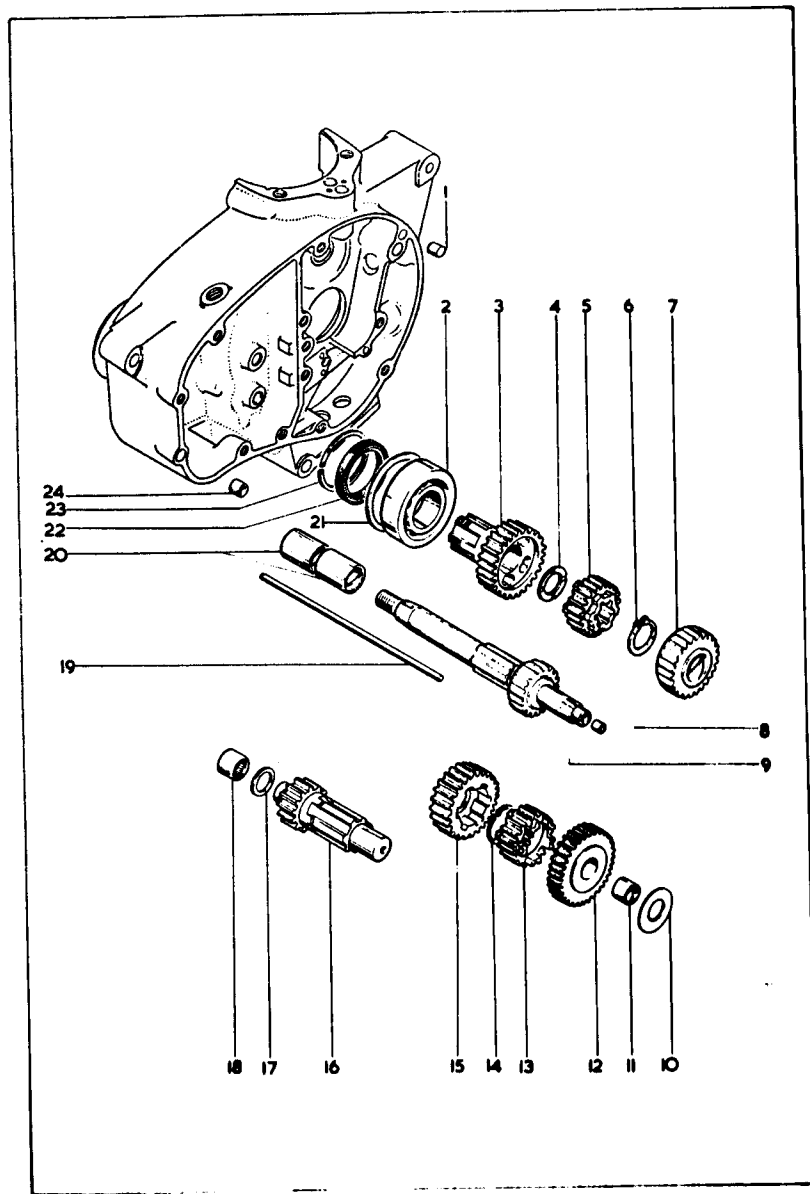


16

Key No.	Spares No.	Description	Per Set
1	14-0302	Nut - crankcase stud (5/16in UN.F.)	2
2	70 8088	Washer - crankcase stud (.317in x .625in x .064in)	2
3	21 1890	Stud - crankcase, rear (5/16in UN.F./UN.C. x 2 11/16in)	2
4	57 4679	Gearbox filler plug	1
5	57 4681	Washer - gearbox filler plug	1
6	14 0302	Nut - crankcase stud (5/16in UN.F.)	2
7	70 8088	Washer - crankcase stud (.317in x .625in x .064in)	2
8	21 2042	Stud - crankcase, top	2
9	14-1301	Nut - oil pump drive gear fixing	1
10	70-9041	Washer - oil pump drive gear fixing	1
11	70 8094	Driving gear - oil pump	1
12	71 2119	Spindle housing - oil pump	1
13	71-2123	Driving spindle - oil pump	1
14	71 1147	Spindle - oil pump driven gears	1
15	71-2121	Gear - oil pump feed, driven	1
16	71-3001	Oil pump complete	1
17	14 1901	Nut - oil pump fixing (1/4in UN.F.)	3
18	70 8104	Washer - oil pump fixing (.266in x .625in x .056in)	3
19	21 0597	Stud - oil pump fixing (1/4in UN.F./UN.C. x 2 1/8in)	2
19	14-1606	Stud - oil pump fixing (1/4in UN.F./UN.C. x 1 3/4in)	1
20	70 8100	Screw - oil pump cover plate (3/16in B.S.C. x 1 5/16in)	4
21	70-8099	Cover plate - oil pump	1
22	71 2124	Scavenge gear - oil pump, driven	1
23	71 2122	Scavenge gear - oil pump, driving	1
24	71-2115	Gasket - oil pump	1
25	70 8022	Dowel - oil pump locating	2
26	71 1148	Dowel - oil pump body locating	2
27	70 8315	Bush - camshaft, at crankcase	1
28	71-2771	Scavenge valve complete	1
29	71-1424	Gasket - scavenge cover	1
30	71 2933	Sump filter	1
31	14-1401	Stud - scavenge cover fixing (1/4in UN.F./UN.C. x 1in)	4
32	70-8071	Washer - scavenge cover fixing (.255in x .500in x .048in)	4
33	14 1901	Nut - scavenge cover fixing (1/4in UN.F.)	4
34	21 2111	Drain plug - gearbox	1
35	60 3530	"O" ring - drain plug	1
36	57-4306	Gearbox sprocket - 14 teeth	1
37	57-2702	Lockwasher - gearbox sprocket	1
38	57-1434	Nut - gearbox sprocket (1 3/16in x 20 t.p.i., W.F.)	1
39	57-2677	Felt washer - gearbox sprocket	1

17

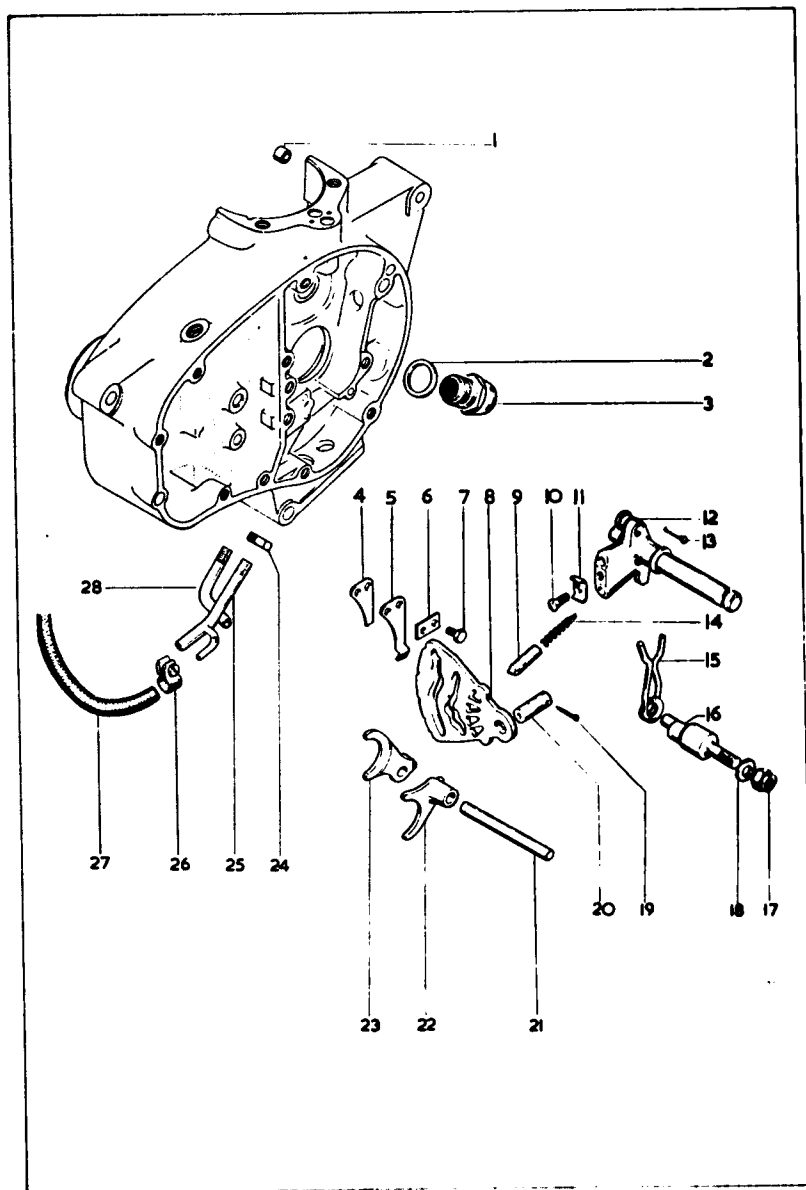
GEAR CLUSTER



GEAR CLUSTER

Key No.	Spares No.	Description	Per Set
1	70 8011	Dowel - inner cover locating, front	2
2	70 8014	Bearing - gearbox mainshaft, left (Hoffmann 130)	1
3	57 3872	Gear - mainshaft top (22 teeth)	1
4	57-2678	Thrust washer (.093in - .094in)	as reqd.
4	57 2679	Thrust washer (.098in - .099in)	as reqd.
4	57 2680	Thrust washer (.103in - .104in)	as reqd.
5	57 3876	Gear - mainshaft second (21 teeth)	1
6	57 2669	Circlip - mainshaft third gear	1
7	57-4665	Gear - mainshaft third (24 teeth)	1
8	57 1391	Bush - mainshaft, clutch pushrod	1
9	57-4682	Mainshaft (complete with 18T gear)	1
10	57 2670	Shim - layshaft first gear	1
11	57 2752	Bush - layshaft first gear	1
12	41-3073	Gear - layshaft first (25 teeth)	1
13	57-3877	Gear - layshaft third (19 teeth)	1
14	57 2669	Circlip - layshaft second gear	1
15	57-2668	Gear - layshaft second (22 teeth)	1
16	57-2667	Layshaft with top gear (14 teeth)	1
17	57-2671	Thrust washer (.083in - .085in)	as reqd.
17	57-2672	Thrust washer (.078in - .080in)	as reqd.
18	70-8005	Bearing - needle roller, layshaft (Torrington B108)	1
19	57-2733	Clutch push rod	1
20	57-2753	Bush - mainshaft top gear	1
21	71-1271	Shield - left gearbox bearing	1
22	70-8015	Oil Seal - gearbox	1
23	70 6026	Circlip - gearbox oil seal	1
24	71 2547	Dowel - inner cover locating, rear	1

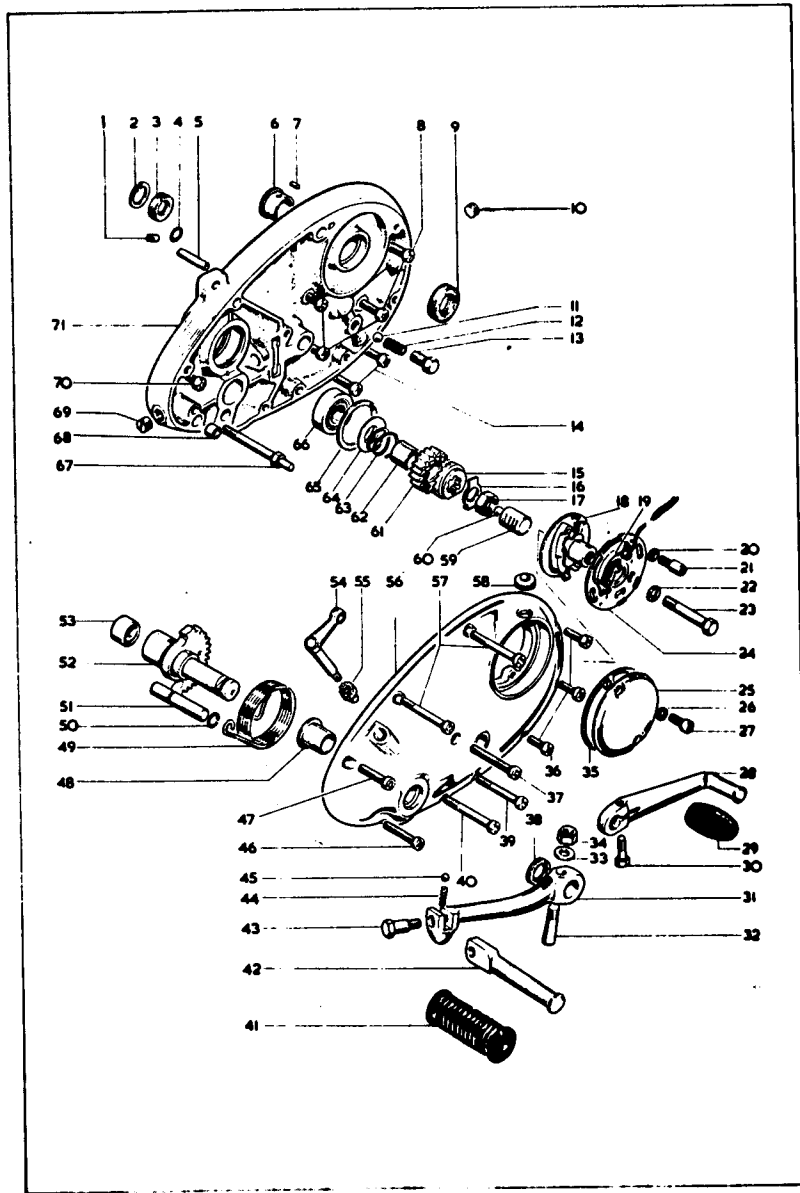
GEARCHANGE MECHANISM



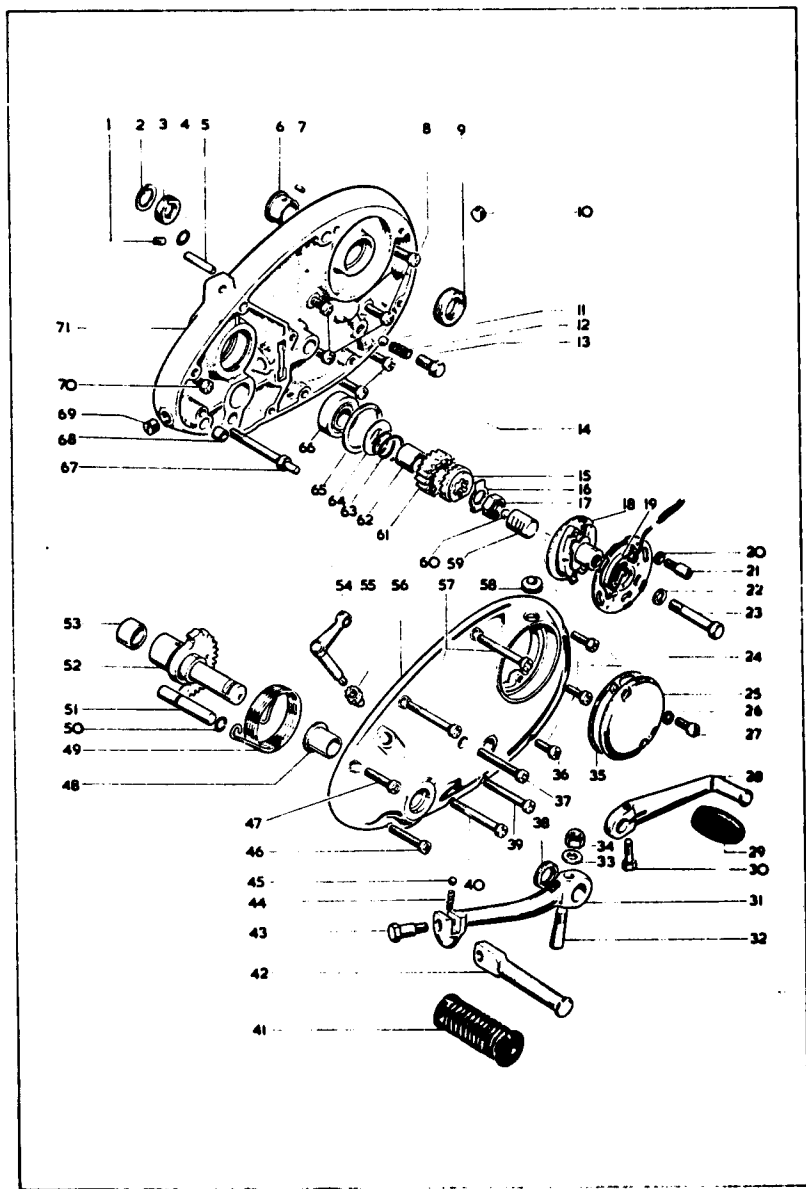
GEARCHANGE MECHANISM

Key No.	Spares No.	Description	Per Set
1	70 8009	Dowel crankcase locating	1
2	70 9737	Joint washer pressure release valve	1
3	71 3684	Pressure release valve complete	1
4	57 1249	Spring plate	1
5	57-2691	Spring camplate locating	1
6	57-1180	Lockplate - camplate spring	1
7	57 1076	Screw camplate spring (2B.A. x 3/8in)	2
8	57-3850	Camplate gearchange	1
9	57-2105	Plunger gearchange quadrant	2
10	57 2435	Screw plunger retaining plate (5B.A. x 5/16in)	1
11	57-2107	Retaining plate quadrant plungers	1
12	57-2692	Gearchange quadrant complete	1
13	57 1277	Rivet - plunger spring	2
14	57 2106	Plunger spring	2
15	57-1109	Gearchange return spring	1
16	57-4454	Anchor bolt - return spring	1
17	14 1302	Locknut - footchange return spring anchor (5/16in UN.F.)	1
18	60 2428	Washer - return spring anchor	1
19	60-2724	Split pin - camplate spindle locating (3/32in x 1in)	1
20	57-4048	Spindle - camplate	1
21	57-2688	Spindle - selector forks	1
22	57 2689	Selector fork - layshaft	1
23	57-4603	Selector fork - mainshaft	1
24	21-2117	Nut - oil feed and return pipes	2
25	71-2656	Oil return pipe	1
26	70 8111	Clamp - rocker feed pipe	1
27	70 8106	Rocker oil feed pipe	1
28	71-2658	Oil feed pipe	1
	71-1003**	Washer - oil feed and return pipes nut (3/85in x 6/25in x 048in)	2

**Not illustrated



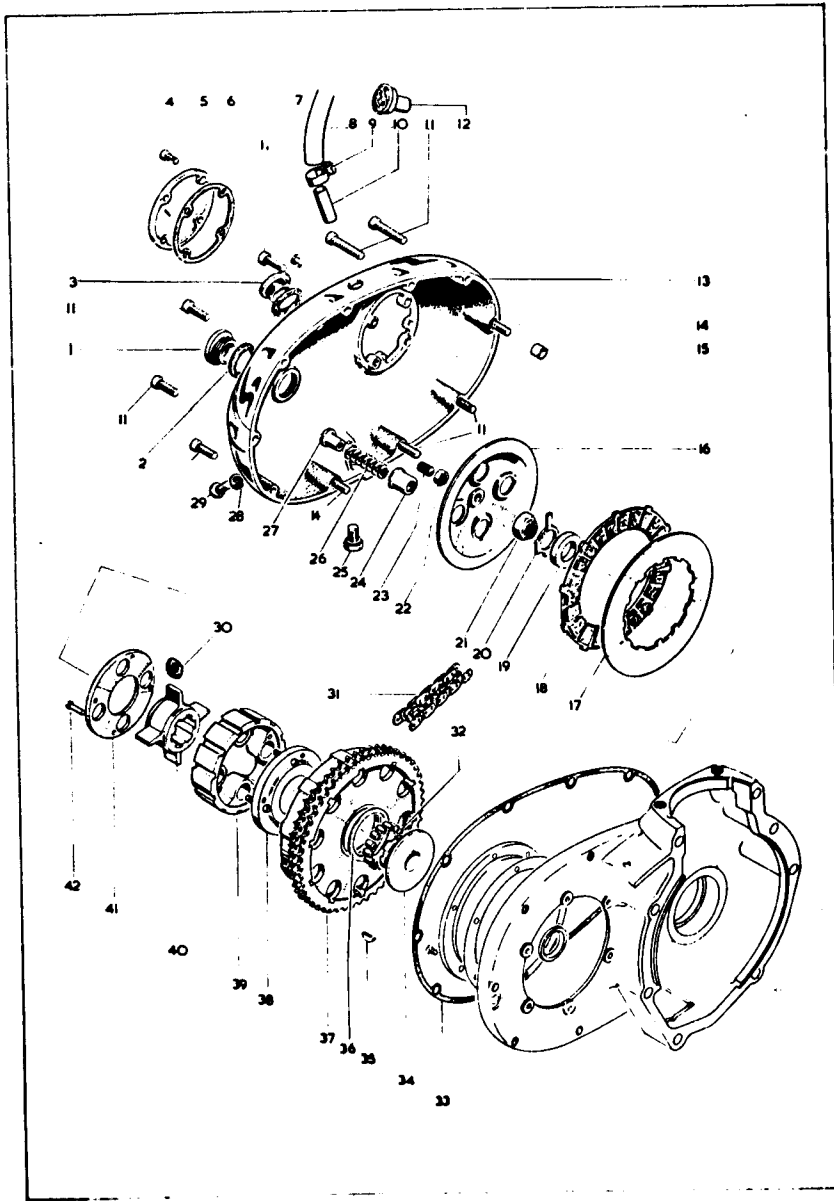
Key No.	Spares No.	Description	Per Set
1	70-8162	Plug - mainshaft oil feed	1
2	70-8157	Circlip - crankshaft oil seal	1
3	70-8154	Oil seal - crankshaft	1
4	70-8158	"O" ring - inner cover	1
5	57-1026	Breather pipe - inner cover	1
6	70-8150	Bush - camshaft, at inner cover	1
7	70-3172	Peg - camshaft bush locating	1
8	14-6610	Screw - inner cover to crankcase (1/4in UN.C. x 1 1/2in)	4
9	70-8153	Oil seal - camshaft	1
10	70-9526	Sealing plug	1
11	60-2364	Ball - non-return valve (1/4in)	1
12	40-0385	Spring - non-return valve	1
13	21-2044	Plug - non-return valve	1
14	14-6606	Screw - inner cover, bottom (1/4in UN.C. x 3/4in)	2
15	57-4339	Kickstart ratchet	1
16	57-4343	Lockwasher - kickstart ratchet nut	1
17	57-2686	Nut - kickstart ratchet	1
18	19-1947	Auto-advance unit - 15° range (Lucas 54425655)	1
19	19-1948	Contact set (Lucas 60600271)	1
20	70-8164	Washer - contact breaker plate fixing (182in x 375in x 064in)	2
21	70-4747	Pillar bolt - contact breaker plate fixing	2
22	71-8163	Washer - auto-advance unit fixing	1
23	14-0208	Bolt - auto-advance unit fixing (1/4in UN.F. x 2 1/4in)	1
24	19-1949	Contact breaker plate complete (Lucas 55425458)	1
25	70-8737	Cover - contact breaker complete	1
26	97-0430	Fibre washer - contact breaker cover	2
27	70-7354	Screw - contact breaker cover fixing (2B.A. x 1 1/2in)	2
28	57-1164	Gearchange pedal	1
29	57-2648	Rubber - gearchange pedal	1
30	21-5403	Bolt - gearchange pedal (1/4in B.S.C. x 3/4in)	1
31	57-4556	Kickstart lever complete	1
31	57-4555	Crank only - kickstart lever	1
32	57-4357	Cotter - kickstart lever	1
33	60-2320	Washer - kickstart lever cotter (.270in x .562in x .056in)	1
34	14-1301	Nut - kickstart lever cotter (1/4in UN.F.)	1
35	71-1423	Gasket - contact breaker cover	1
36	70-8169	Screw - outer cover (2B.A. x 5/8in)	3
37	14-6611	Screw - outer cover (1/4in UN.C. x 1 3/4in)	1
38	57-2641	Oil seal - kickstart spindle	1
39	14-6612	Screw - outer cover (1/4in UN.C. x 2in)	1
40	14-6614	Screw - outer cover (1/4in UN.C. x 2 1/2in)	1
41	57-2330	Rubber - kickstart lever pedal	1
42	57-1272	Folding pedal - kickstart lever	1
43	21-0541	Bolt - kickstart folding pedal	1
44	57-1167	Spring - kickstart folding pedal	1
45	60-2364	Ball - kickstart folding pedal (1/4in)	1
46	14-6610	Screw - outer cover (1/4in UN.C. x 1 1/2in)	1
47	14-6606	Screw - outer cover (1/4 UN.C. x 3/4in)	1
48	57-4559	Bush - kickstart spindle	1
49	57-4338	Spring - kickstart lever return	1
50	57-2658	Circlip - kickstart quadrant stop locating	1



Key No.	Spares No.	Description	Per Set
51	57-4342	Stop - kickstart quadrant	1
52	57-4639	Kickstart spindle and quadrant assembly	1
53	70-8005	Bearing - layshaft, kickstart spindle (Torrington B108)	1
54	57-2750	Clutch lever	1
55	57-2700	Pinion - clutch operating lever	1
56	71-3276	Outer timing cover complete	1
57	14-6612	Screw - outer cover (1/4in UN.C. x 2in)	2
58	60-3755	Grommet - contact breaker lead	1
59	57-2699	Rack - clutch operating	1
60	60-2363	Ball - clutch push rod (7/32in)	1
61	57-4336	Kickstart ratchet pinion	1
62	57-2682	Bush - kickstart ratchet pinion	1
63	57-2684	Spring - kickstart ratchet	1
64	57-4452	Washer - kickstart ratchet spring	1
65	70-8152	Circlip - gearbox mainshaft bearing	1
66	70-8151	Bearing - gearbox mainshaft, at inner cover (Hoffmann LS7)	1
67	57-3764	Anchor - kickstart return spring	1
68	70-8010	Dowel - outer to inner cover	2
69	21-1899	Screwed plug - inner cover	1
70	14-6608	Screw - inner cover (1/4in UN.C. x 1in)	1
71	71-2652	Inner cover complete	1
	70-1335**	Washer - screwed plug, inner cover	1

**Not illustrated

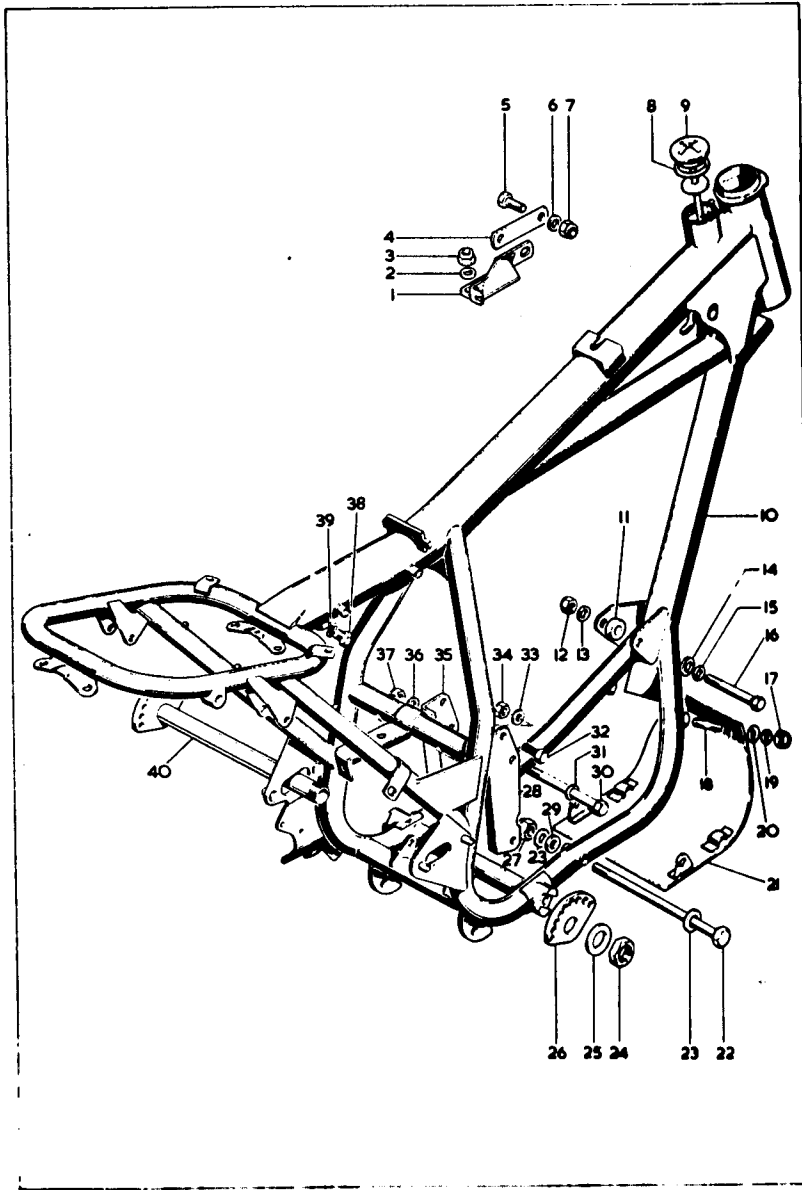
CLUTCH - PRIMARY COVER



CLUTCH - PRIMARY COVER

Key No.	Spares No.	Description	Per Set
	57 4302	Clutch assembly complete	1
1	57 2166	Inspection plug - primary cover	1
2	70 8782	Washer - inspection plugs	2
3	57 2166	Inspection plug - primary cover	1
4	70 8177	Screw - inspection cover (2B.A. x 1/2in)	4
5	68 0839	Cover - timing inspection	1
6	71 1420	Gasket - inspection cover	1
7	71-1619	Ignition timing pointer	1
8	83 5115	Breather pipe (long)	1
9	60 2252	Clip - breather pipe	1
10	71-2927	Stub - breather outlet	1
11	14-6610	Screw - primary cover (1/4in UN.C. x 1 1/2in)	8
12	60-3745	Filter - breather pipe	1
13	71-2932	Primary cover complete	1
14	21-2153	Screw - primary cover, at dowel holes (1/4in UN.C. x 1 39/64in)	2
15	70 8010	Dowel - primary cover locating	2
16	57 4019	Pressure plate	1
17	57-2725	Driven plate	5
18	57 2726	Driving plate	5
19	57-2731	Distance piece - clutch retaining nut	1
20	57-2732	Lockwasher - clutch retaining nut	1
21	57 2730	Nut - clutch centre retaining (1/2in B.S.C.)	1
22	14 0401	Nut - clutch push rod adjusting screw (1/4in UN.F.)	1
23	57 4189	Screw - clutch push rod adjuster	1
24	57 4121	Cup - pressure plate spring	4
25	21-1943	Drain plug - primary case	1
26	41 3091	Spring - pressure plate	4
27	41-3215	Nut - pressure plate spring adjuster	4
28	71-1065	Washer - oil level screw	1
29	14 7804	Screw - oil level	1
30	41-3212	Rubber - shock absorber	8
31	41 0660	Primary chain - endless (72 pitches)	1
32	57-2719	Roller (3/16in x 3/16in)	25
33	71-1418	Gasket - primary cover	1
34	57 4200	Clutch hub	1
35	57 2714	Key - clutch hub	1
36	57 3931	Thrust washer	1
37	57-4198	Clutch chainwheel	1
38	57-4508	Retaining plate - inner	1
39	57 4531	Clutch centre assembly	1
39	57-4511	Clutch centre	1
40	57-2715	Clutch spider	1
41	57-4510	Retaining plate - outer	1
42	57-4507	Rivet - inner and outer retaining plates	4

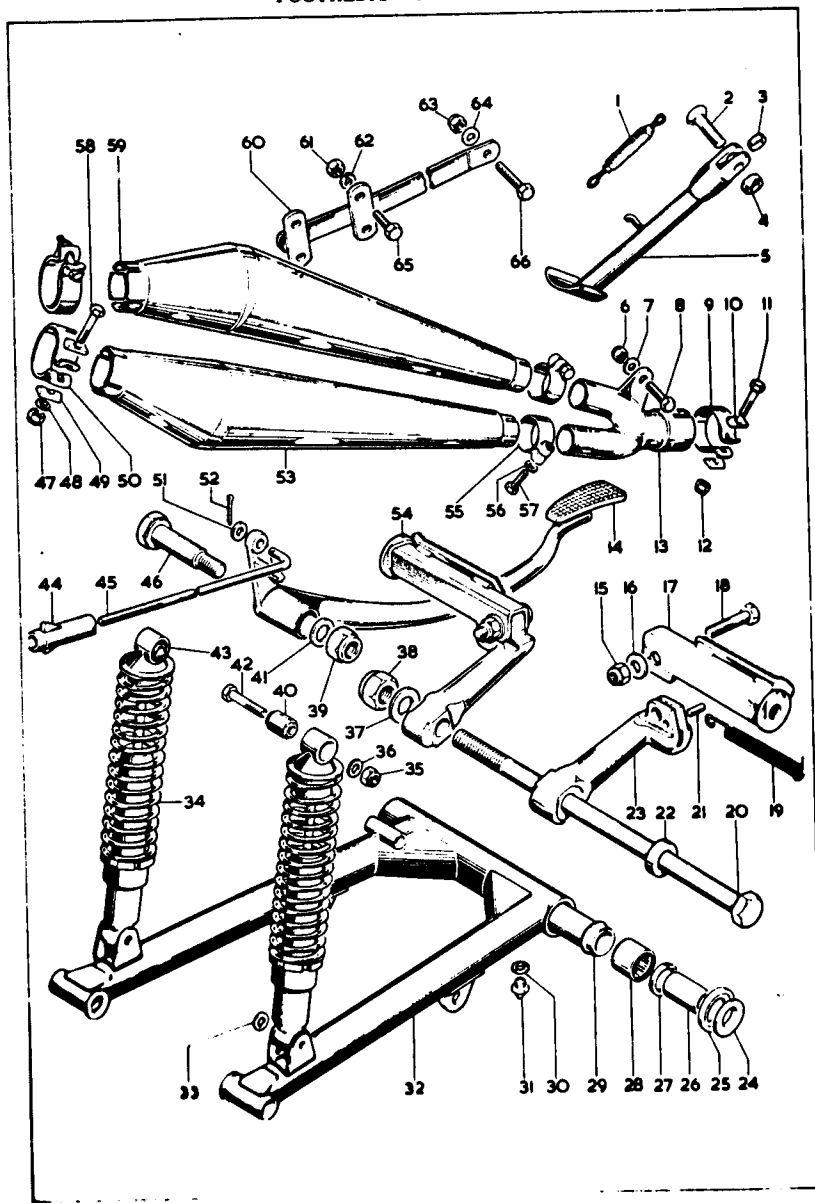
FRAME - ENGINE SHIELD



FRAME - ENGINE SHIELD

Key No.	Spares No.	Description	Per Set
1	83 3838	Engine steady bracket	1
2	60 2330	Washer engine steady fixing (.333in x .625in x .040in)	4
3	14 1302	Nut engine steady fixing (5/16in UN.F.)	2
4	83 3840	Engine steady stay	1
5	14 0126	Bolt engine steady stay fixing (3/8in UN.F. x 3/4in)	2
6	60 2331	Washer engine steady (3/8in x 3/4in x 5/64in)	2
7	14 1303	Nut engine steady (3/8in UN.F.)	2
8	70 3751	Washer oil filler cap	1
9	83 4512	Oil filler cap and dipstick	1
10	83 5108	Frame complete	1
11	83 3998	Distance piece engine mounting, front	1
12	14 1304	Nut engine mounting, front (7/16in UN.F.)	1
13	60 2332	Washer engine mounting, front (.458in x .875in x .048in)	1
14	68 4925	Distance piece exhaust pipe mounting	1
15	60 2332	Washer engine mounting, front (.458in x .875in x .048in)	1
16	14 0252	Bolt engine mounting, front (7/16in UN.F. x 3in)	1
17	14-1301	Nut engine shield fixing (1/4in UN.F.)	2
18	21 2137	Stud engine shield fixing (1/4in UN.F. x 57/64in)	2
19	60 2427	Spring washer engine shield fixing (.281in x .465in x .092in)	2
20	60 2329	Washer engine shield fixing (.278in x .562in x .036in)	2
21	83 2228	Engine shield	1
22	21 2160	Bolt engine mounting, bottom (3/8in UN.F. x 8 3/8in)	1
23	82 9046	Washer engine mounting, bottom	2
24	21-0755	Nut swinging arm pivot (13/16in UN.C.)	1
25	37 2085	Washer swinging arm pivot	1
26	83 3556	Adjuster swinging arm pivot, right	1
27	14 1303	Nut engine mounting bottom bolt (3/8in UN.F.)	1
28	83 4501	Engine mounting plate rear, right	1
29	83 2005	Distance piece engine mounting, bottom	1
30	21 0671	Bolt engine mounting rear (3/8in UN.F. x 3 7/8in)	1
31	82 9046	Washer engine mounting, rear	2
32	14 0126	Bolt engine plate mounting, rear (3/8in UN.F. x 3/4in)	4
33	71 1003	Washer engine mounting plate bolt, rear (.385in x .625in x .048in)	8
34	14 1303	Nut engine mounting plate bolt, rear (3/8in UN.F.)	4
35	83 4500	Engine mounting plate rear, left	1
36	82 9046	Washer engine mounting, rear	2
37	14 1303	Locknut engine mounting, rear (3/8in UN.F.)	1
38	21 2015	Oil drain plug	1
39	54 8006	Washer drain plug	1
40	83 3554	Spindle assembly swinging arm	1

Plate 10 SWINGING ARM - REAR SUSPENSION - REAR BRAKE CONTROL
FOOTRESTS - SILENCERS



10

Plate 10

SWINGING ARM - REAR SUSPENSION - REAR BRAKE CONTROL
FOOTRESTS - SILENCERS

Key No.	Spares No.	Description	Per Set
1	68 4708	Spring prop stand	1
2	21 2105	Pivot bolt prop stand	1
3	83 3165	Distance piece prop stand mounting	1
4	14 1303	Locknut prop stand pivot (3/8in UN.F.)	1
5	83 4278	Prop stand	1
6	14 1302	Nut junction pipe bolt (5/16in UN.F.)	1
7	60 2321	Washer plain junction pipe bolt (.333in x .625in x .072in)	1
8	14 0113	Bolt junction pipe to frame (5/16in UN.F. x 5/8in)	1
9	70 2271	Clip junction pipe to exhaust pipe	1
10	70 3768	'D' washer clip bolt	2
11	14 0218	Bolt junction pipe clip (5/16in UN.F. x 1 3/8in)	1
12	14-1302	Nut junction pipe clip bolt (5/16in UN.F.)	1
13	71 3772	Junction pipe	1
14	83 2040	Brake pedal	1
15	14 1302	Nut footrest pivot bolt (5/16in UN.F.)	2
16	60 2321	Washer pivot bolt nut (.333in x .625in x .072in)	2
17	83 4685	Footrest right	1
17	83-4684	Footrest left	1
18	21-0512	Footrest pivot bolt (5/16in UN.F. x 1 1/4in)	2
19	83 3095	Spring footrest return	2
20	21 2180	Footrest bolt	1
21	83-3094	Peg return spring anchor	2
22	83 3998	Footrest bolt distance piece	1
23	83 4505	Footrest bracket right	1
23	83 4408	Footrest bracket left	1
24	83 2233	Thrust washer swinging arm	2
25	83 3014	Seal thrust washer	2
26	83 2012	Sleeve inner	2
27	83 2244	Oil seal swinging arm	2
28	83 2245	Needle roller bearing swinging arm (Torrington B1616)	2
29	83 1969	Distance tube swinging arm bearing	1
30	24 1088	Fibre washer grease nipple	1
31	60-1841	Grease nipple swinging arm	1
32	83 2212	Swinging arm complete	1
33	37 2337	Washer damper bottom mounting (.380in x .750in x .092in)	2
34	19 7482	Suspension unit spring (Girling 64541820)	2
35	14 1303	Nut suspension unit fixing top & bottom (3/8in UN.F.)	4
36	60 2322	Washer suspension unit fixing top & bottom (.395in x .750in x .072in)	4
37	60 2323	Washer footrest bolt (.458in x .875in x .092in)	1
38	14 1304	Nut footrest bolt (7/16in UN.F.)	1
39	14 1303	Locknut brake pedal pivot (3/8in UN.F.)	1
40	99 0122	Bush suspension unit (Girling 64533645)	4
41	70 8084	Washer brake pedal pivot (.380in x .750in x .064in)	1
42	14 0234	Bolt suspension unit fixing top and bottom (3/8in UN.F. x 1 3/4in)	4
43	60 3919	Suspension unit complete (Girling 64052567)	2
44	82 7387	Adjuster nut brake rod	1
45	83 2616	Brake rod	1
46	21 2045	Pivot rear brake pedal	1
47	21 1908	Nut silencer outlet clip bolt (5/16in UN.F.)	2

31

Plate 10 - continued

SWINGING ARM - REAR SUSPENSION REAR BRAKE CONTROL
FOOTRESTS - SILENCERS

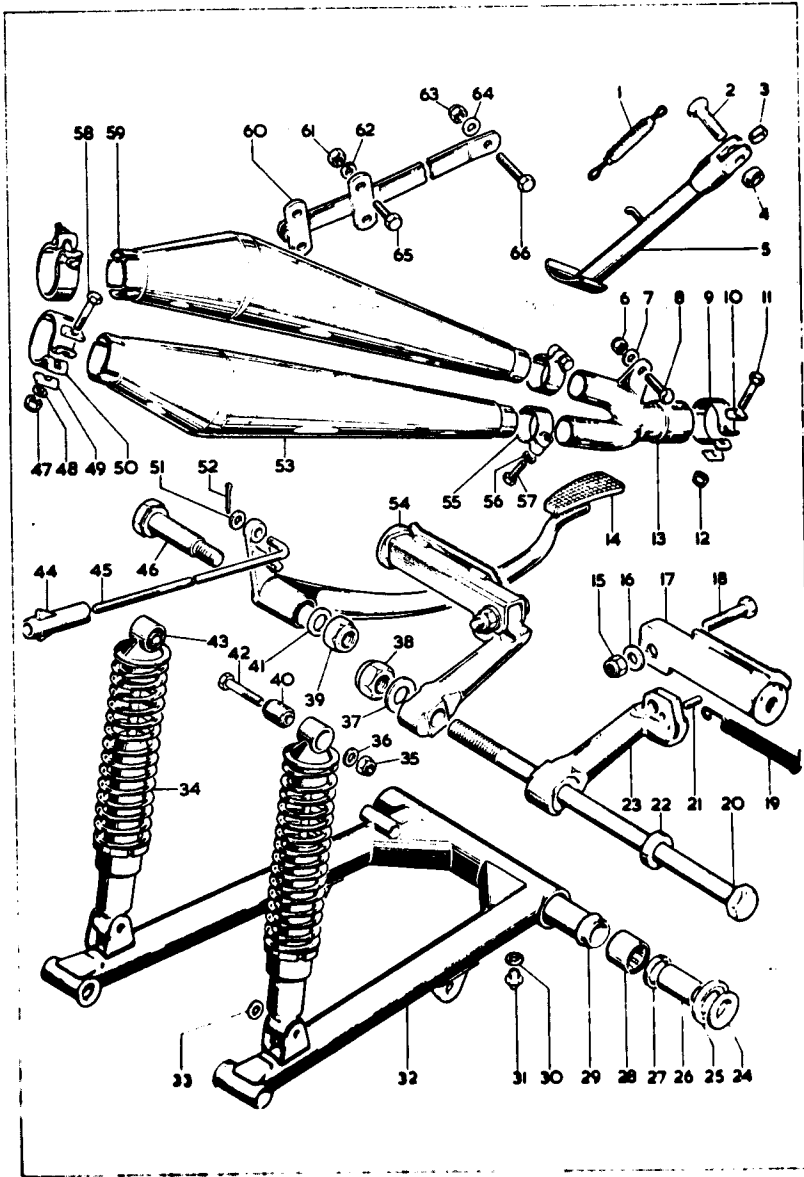
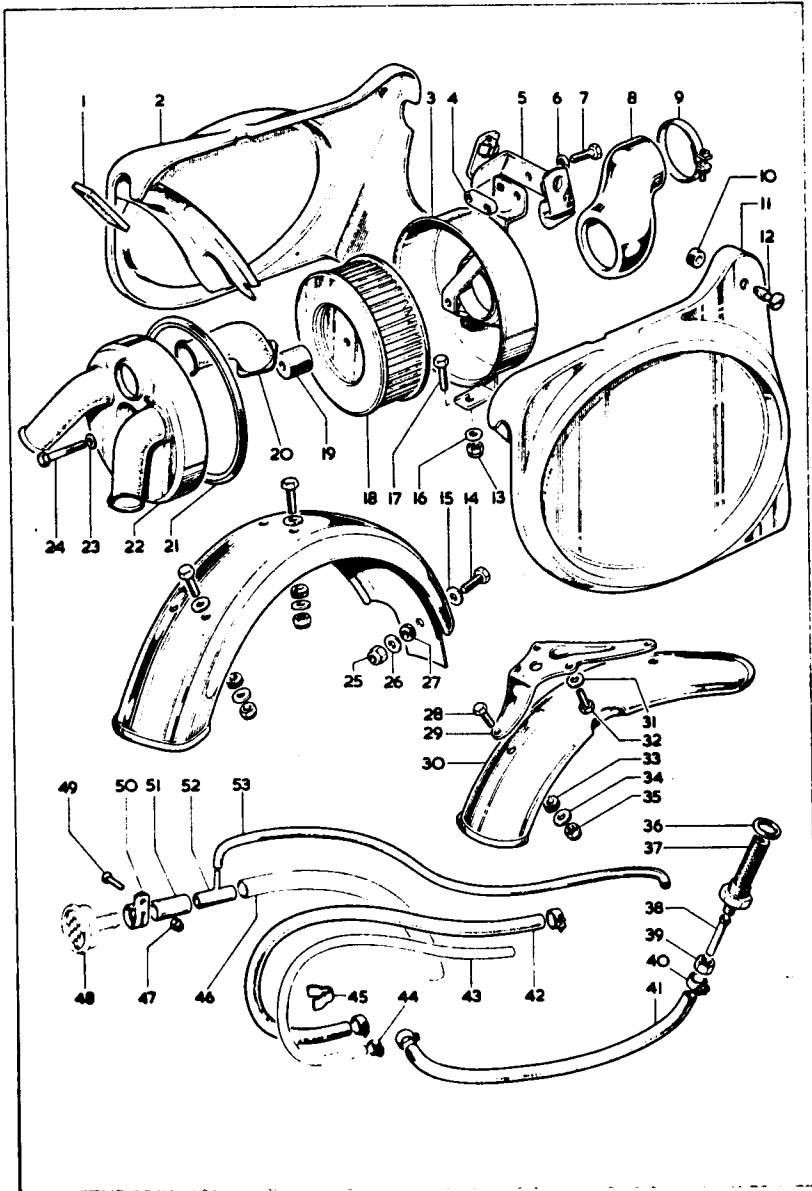


Plate 10 - continued

SWINGING ARM - REAR SUSPENSION - REAR BRAKE CONTROL
FOOTRESTS - SILENCERS

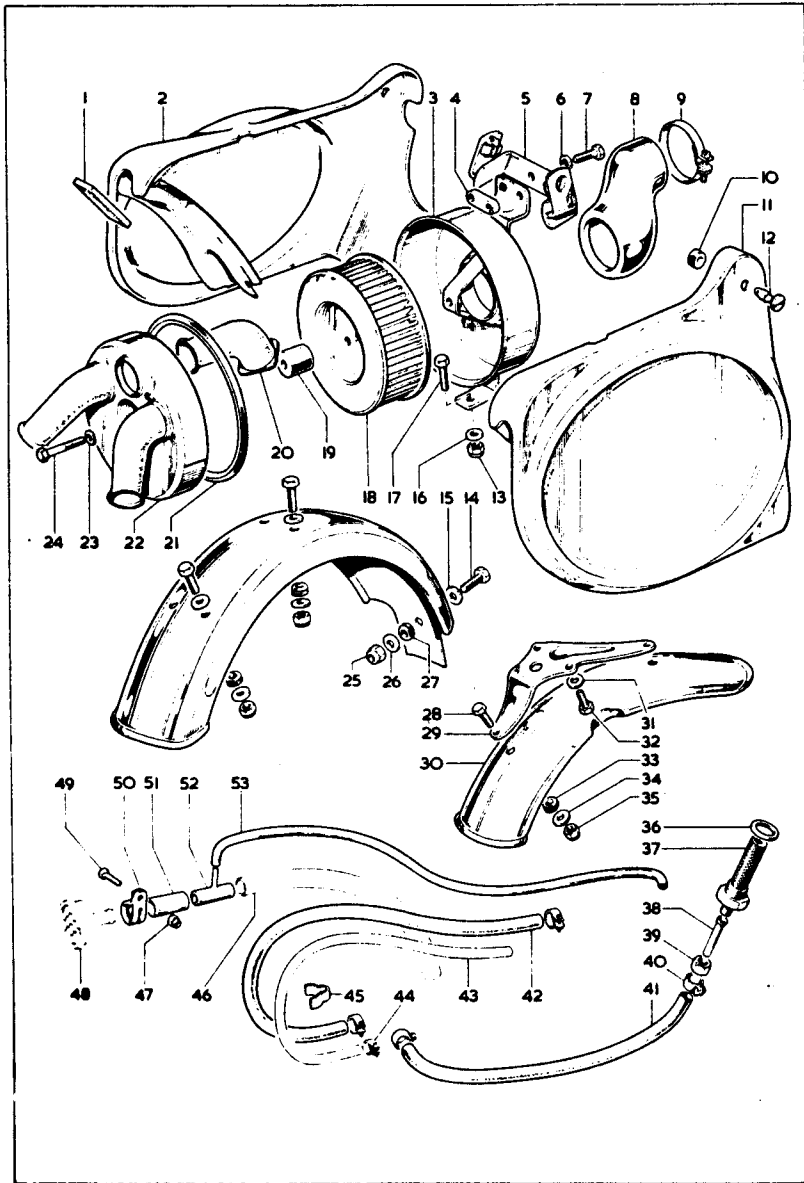
Key No.	Spares No.	Description	Per Set
46	60 2428	Spring washer - silencer outlet clip bolt	2
49	70 3768	"D" washer - silencer outlet clip bolt	4
50	71 3524	Clip - silencer outlet	2
51	83 4277	Distance piece - brake rod (-256in x .500in x .040in)	1
52	60 2683	Split pin - brake rod (1/16in x 3/8in)	1
53	71 3751	Silencer complete - lower	1
54	83 5109	Footrest and bracket assembly, left	1
54	83 5110	Footrest and bracket assembly, right	1
55	70 7299	Clip - silencers to junction pipe	2
56	60 2418	Spring washer - clip bolt (-.343in x .503in x .080in)	2
57	14 0116	Bolt - silencer clip (5/16in UN.F. x 1in)	2
58	14 0219	Bolt - silencer outlet clip (5/16in UN.F. x 1 1/2in)	2
59	71 3750	Silencer complete - upper	1
60	83 5180	Silencer support strap	1
61	14 1301	Locknut - silencer strap bolt (1/4in UN.F.)	4
62	60 2320	Washer - silencer strap bolt (-.270in x .562in x .056in)	4
63	14 1302	Locknut - strap to frame bolt (5/16in UN.F.)	1
64	60 2321	Plain washer - strap to frame bolt (-.333in x .625in x .072in)	1
65	14 0102	Bolt - silencer to strap fixing (1/4in UN.F. x 5/8in)	4
66	14 0218	Bolt - strap to frame fixing (5/16in UN.F. x 1 3/8in)	1
60	4172**	Label - spark arrester details	2

**Not illustrated



Key No.	Spares No.	Description	Per Set
1	82 7380	Protection strip number plate	4
2	83 3475	Number plate left	1
3	83 3299	Air filter box	1
4	83 3305	Fixing plate	1
5	83 3035	Number plate bracket	1
6	60 2427	Spring washer, air filter fixing bolt (.281in x .465in x .064in)	2
7	14 0102	Bolt air filter fixing (1/4in UN.F. x 5/8in)	2
8	60 3483	Hose air box to carburetter	1
9	60 3536	Clip carburetter hose	1
10	60 3160	Rubber washer "Oddie" fastener	2
11	83 5166	Number plate right	1
12	60 3632	"Oddie" fastener	2
13	14 1301	Locknut air filter bottom bolt (1/4in UN.F.)	1
14	14 0103	Bolt rear mudguard fixing (1/4in UN.F. x 3/4in)	5
15	60 2347	Washer rear mudguard fixing bolt (.270in x .625in x .040in)	5
16	83 1829	Washer air filter bottom bolt	1
17	14 0102	Bolt air filter bottom fixing (1/4in UN.F. x 5/8in)	1
18	60 2601	Air filter element	1
19	83 5188	Rubber spacer	1
20	83 3781	Trumpet air filter	3
21	83 5187	Sealing ring air filter lid	1
22	83 5185	Lid air filter	1
23	60 4248	Washer air filter lid bolt	1
24	14 0207	Bolt air filter lid fixing (1/4in UN.F. x 2in)	1
25	14 1301	Nut rear mudguard fixing bolt (1/4in UN.F.)	5
26	60 2347	Washer rear mudguard fixing bolt (.270in x .625in x .040in)	5
27	60 3370	Grommet rear mudguard fixing bolt	5
28	14 0114	Bolt front mudguard fixing (5/16in UN.F. x 3/4in)	2
29	97 4359	Bracket front mudguard	1
30	97 4072	Front mudguard	1
31	60 2348	Washer front mudguard bracket bolt (.333in x .750in x .048in)	2
32	14 6114	Bolt front mudguard bracket mounting (5/16in UN.C. x 3/4in)	2
33	60 3242	Grommet front mudguard fixing bolt	2
34	60 2348	Washer front mudguard bolt (.333in x .750in x .048in)	2
35	14 1302	Nut front mudguard fixing bolt (5/16in UN.F.)	2
36	40 8331	Fibre washer frame oil filter	1
37	82 9430	Oil filter frame	1
38	40 8322	Oil feed pipe	1
39	40 8323	Nut oil pipe union	1
40	68 8343	Clamp oil pipe	4
41	83 3078	Oil feed pipe frame to engine	1
42	83 3076	Oil return pipe engine to frame	1
43		Rocker feed pipe see plate 6	1
44		Rocker feed pipe clamp see plate 6	1
45	97 4112	Spring clip rocker feed pipe to frame	1
46		Breather pipe see plate 8	1
47	82 4717	Nut breather pipe screw	1
48		Breather pipe filter see plate 8	1
49	97 3894	Screw breather pipe securing	1
50	83 4123	Clip breather pipe	1

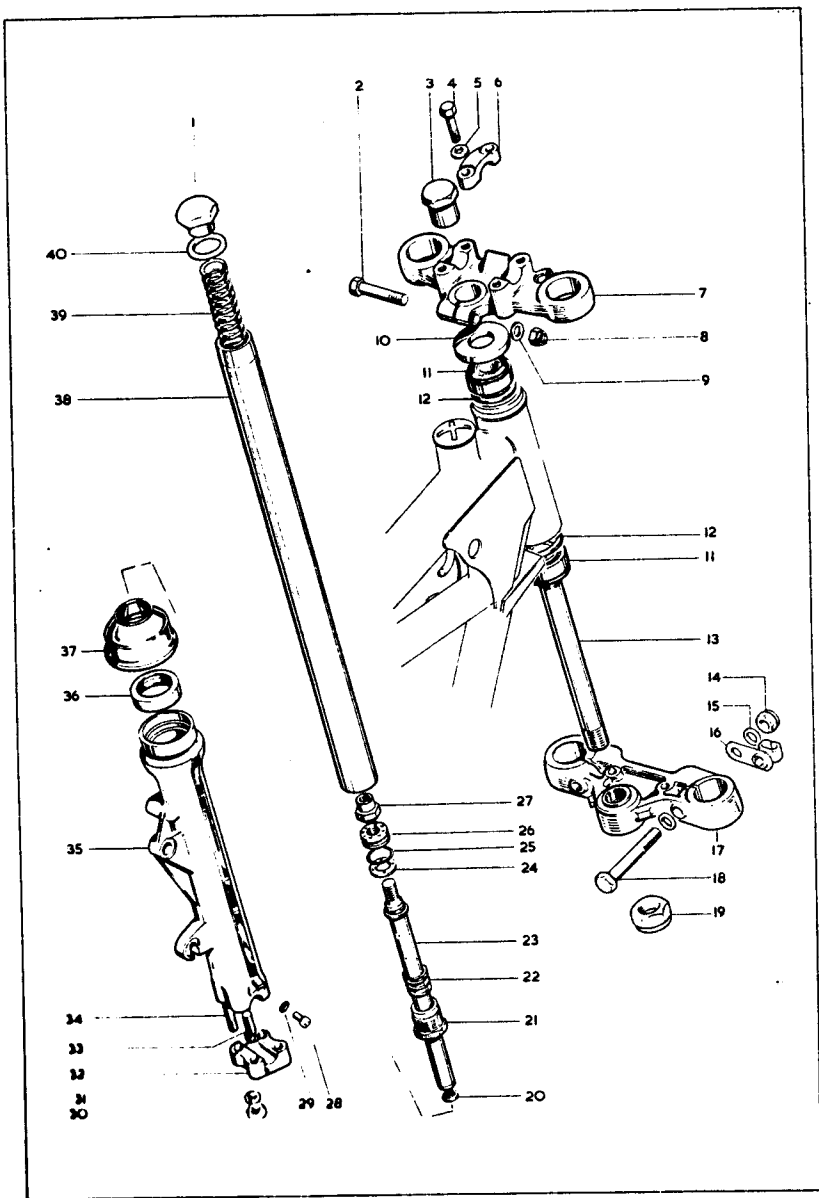
AIR FILTER - OIL PIPES - NUMBER PLATES - MUDGUARDS



AIR FILTER - OIL PIPES - NUMBER PLATES - MUDGUARDS

Key No.	Spare No.	Description	Per Set
51	83 5114	Breather pipe short	1
52	83 5126	Breather junction pipe	1
53	83 3077	Breather pipe oil reservoir	1

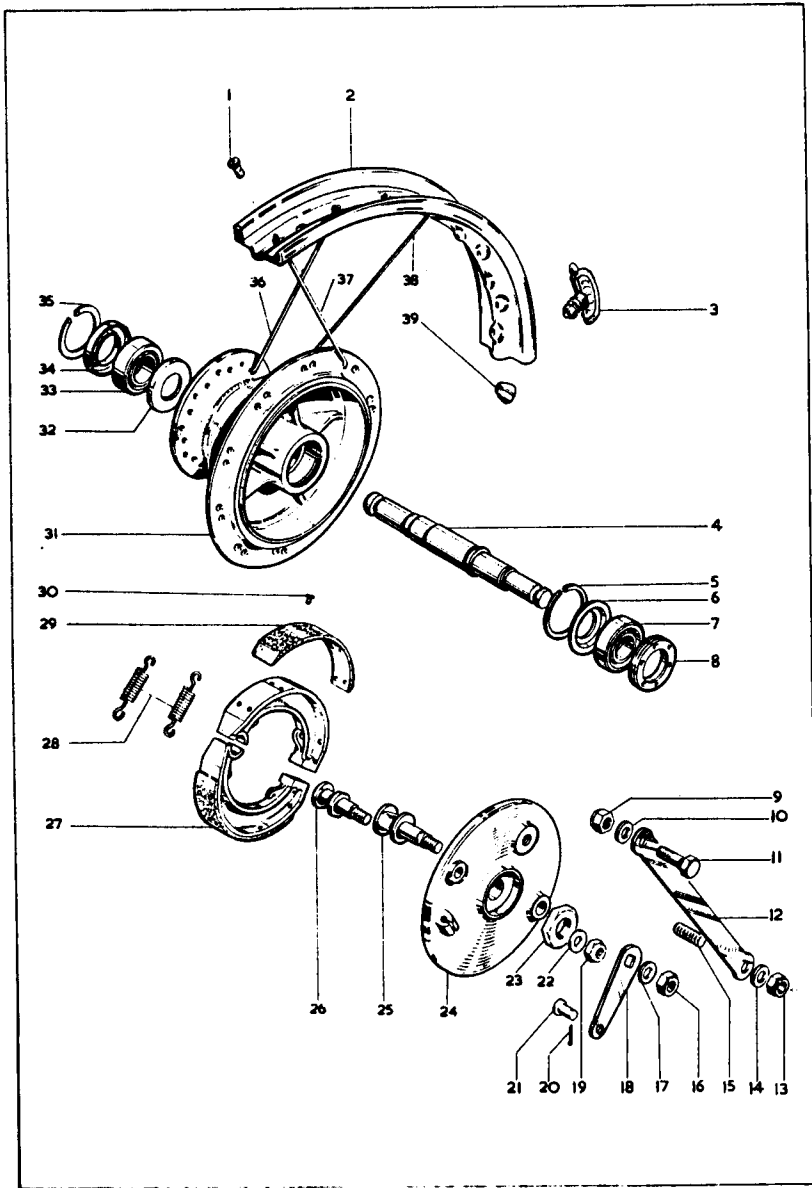
FRONT FORKS



FRONT FORKS

Key No.	Spares No.	Description	Per Set
	97 4512	Front fork complete	1
1	97 4258	Nut top cap	2
2	14 0236	Pinch bolt top yoke (3/8in UN.F. x 2 1/4in)	1
3	97 4317	Nut steering stem adjuster	1
4	14 6219	Bolt handlebar clamp (5/16in UN.C. x 1 1/2in)	4
5	83 3549	Washer handlebar clamp (.330in x .580in x .047in)	4
6	97 0722	Handlebar clamp	2
7	97 4371	Top yoke	1
8	14 1303	Nut top yoke pinch bolt (3/8in UN.F.)	1
9	70 8084	Washer top yoke pinch bolt (.280in x .750in x .064in)	1
10	97 4028	Dust cover steering head	1
11	97 4031	Taper roller bearing steering head (Timken LM11949L)	2
12	83 2007	Abutment ring steering head bearing	2
13	97 4319	Steering stem	1
14	14 1203	Nut bottom yoke pinch bolt (3/8in UN.F.)	2
15	70 8084	Washer bottom yoke pinch bolt (.280in x .750in x .064in)	4
16	97 4479	Retainer assembly brake cable	2
17	97 4513	Bottom yoke	1
18	14 0239	Bolt bottom yoke pinch bolt (3/8in UN.F. x 3in)	2
19	14 7308	Locknut steering stem (3/4in UN.C.)	1
20	97 4004	Washer damper tube (Dowty)	2
21	97 4076	Stanchion end plug complete	2
22	97 4009	Recoil spring	2
23	97 3916	Damper tube complete	2
24	97 4010	Washer damper	2
25	97 4003	"O" ring damper valve	2
26	97 4020	Valve damper	2
27	97 4012	Nut damper valve	2
28	97 3894	Drain screw outer member	2
29	97 3893	Fibre washer drain screw	2
30	14 0302	Nut fork end cap (5/16in UN.F.)	8
31	60 2428	Spring washer fork end cap (.344in x .600in x .064in)	8
32	97 3947	Fork end cap	2
33	14 1019	Allen screw damper tube (5/16in UN.F. x 7/8in)	2
34	21 2102	Stud fork end cap (5/16in UN.F./UN.C. x 1 7/8in)	8
35	97 4032	Outer member complete - right	1
35	97 4033	Outer member complete - left	1
36	97 4001	Oil seal outer member	2
37	97 4002	Scraper sleeve outer member	2
38	97 4455	Fork stanchion	2
39	97 4011	Main spring	2
40	97 4166	Washer top cap nut	2

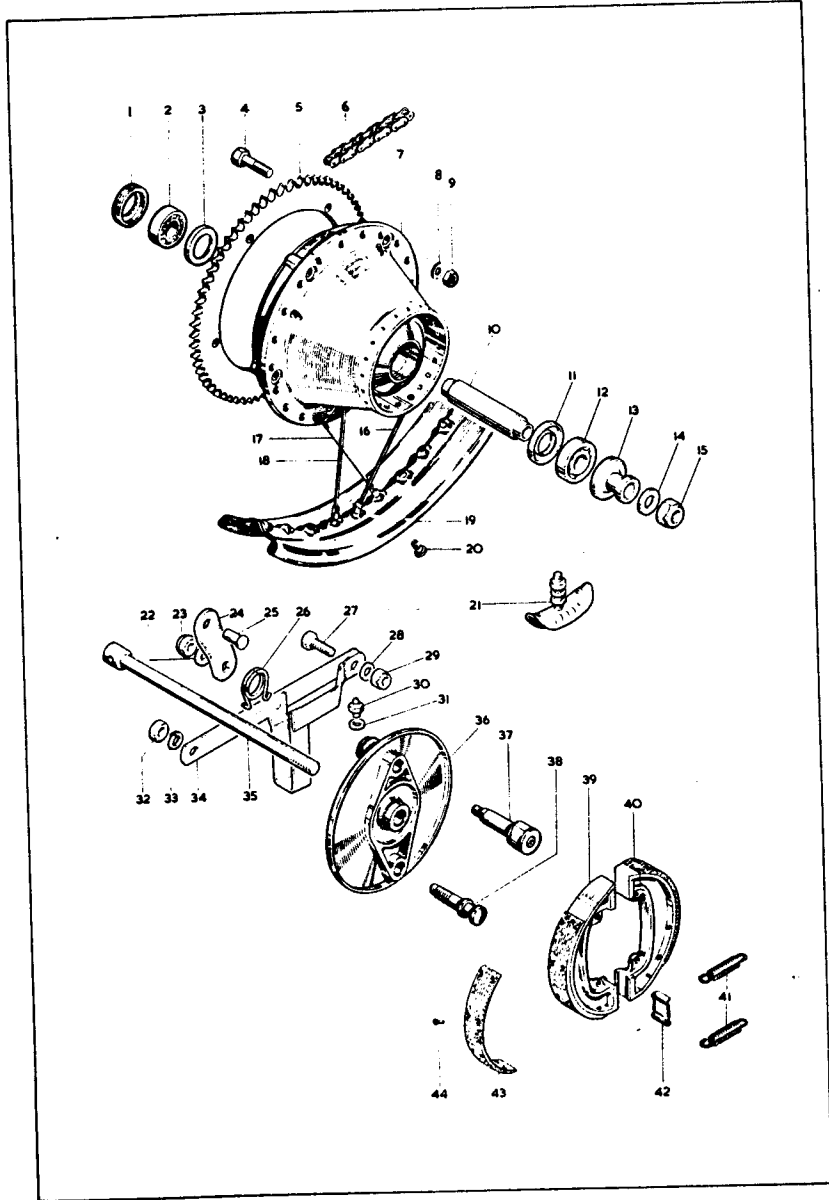
FRONT WHEEL



FRONT WHEEL

Key No.	Spares No.	Description	Per Set
	37 4186	Front wheel, less brake	1
	37 4185	Front wheel, with brake	1
	27 6810	Spoke nipple	40
1	37 4151	Wheel rim (WM1 x 21)	1
2	37 3584	Security bolt	1
3	37 3796	Wheel spindle	1
4	60 2632	Circlip -- grease retainer, right	1
5	37 3797	Grease retainer -- right	1
6	37 0653	Bearing (Hoffmann 120)	1
7	37 3759	Lock ring -- bearing, right	1
8	14 1304	Locknut -- anchor strap, at fork leg (7/16in UN.F.)	1
9	60 2332	Washer -- anchor strap, at fork leg (.458in x .875in x .048in)	1
10	14 0134	Bolt -- anchor strap, at fork leg (7/16in UN.F. x 1 1/4in)	1
11	83 2660	Anchor strap	1
12	14 1304	Locknut -- anchor strap, at brake plate (7/16in UN.F.)	1
13	60 2332	Washer -- nut, anchor strap, at brake plate (.458in x .875in x .048in)	1
14	21 2063	Stud -- anchor strap, at brake plate	1
15	14 1303	Locknut -- brake lever (3/8in UN.F.)	1
16	60 2331	Washer -- nut, brake lever (.395in x .750in x .048in)	1
17	37 3694	Brake lever	1
18	14 1303	Locknut -- fulcrum pin (3/8in UN.F.)	1
19	60 2683	Split pin -- brake cable pivot	1
20	42 5836	Pivot pin -- front brake cable	1
21	60 2331	Washer -- nut, fulcrum pin (.395in x .750in x .048in)	1
22	37 2058	Locknut -- brake anchor plate	1
23	37 3704	Brake anchor plate	1
24	37 3799	Brake cam	1
25	37 3798	Fulcrum pin	1
26	37 3804	Brake shoe complete	2
27	37 2328	Spring -- brake shoe return	2
28	19 7707	Lining -- brake shoe	2
29	29 5853	Rivet -- brake shoe lining	16
30	37 4187	Hub complete with spindle and bearings	1
31	37 1481	Grease retainer -- left, inner	1
32	37 0653	Bearing (Hoffmann 120)	1
33	37 1237	Grease retainer -- left, outer	1
34	57 0280	Circlip -- grease retainer, left	1
35	37 4154	Spoke -- left	20
36	37 4131	Spoke -- outer, right	10
37	37 4152	Spoke -- inner, right	10
38	37 3969	Balance weight -- short	as reqd.
39	37 3970	Balance weight -- long	as reqd.

REAR WHEEL - CHAIN GUIDE

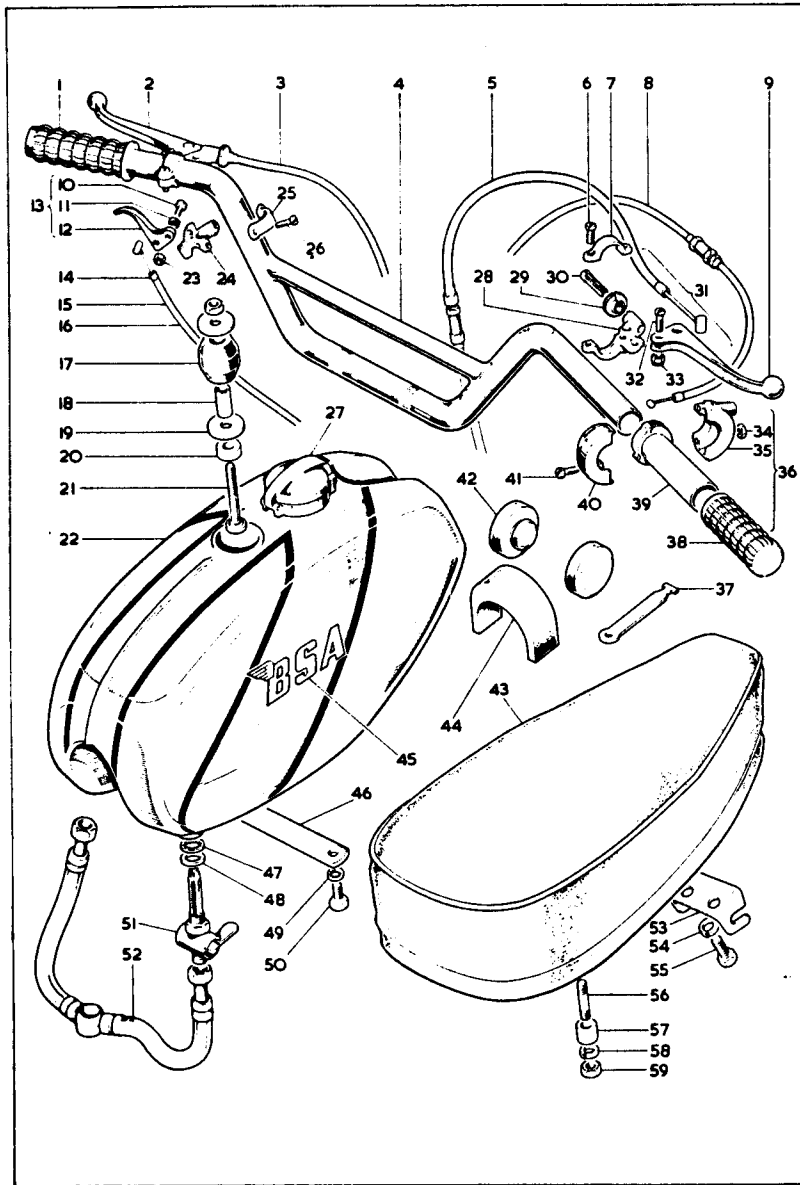


42

REAR WHEEL - CHAIN GUIDE

Key No	Spare No.	Description	Per Set
	37 3959	Rear wheel, less brake	1
	37 3960	Rear wheel, with brake	1
1	37 3752	Lockring - left bearing	1
2	37 1340	Bearing - left (Hoffmann 120RS)	1
3	37-3749	Support ring - left	1
4	14 0207	Bolt - sprocket fixing (1/4in UN.F. x 2in)	5
5	37 3741	Sprocket - 52 teeth	1
6	19-8698	Chain - rear (5/8in x 1/4in x 106 pitches)	1
7	37-3908	Hub complete with spindle and bearings	1
8	60 2320	Washer - sprocket fixing (.270in x .562in x .056in)	5
9	14 1301	Nut - sprocket fixing (1/4in UN.F.)	5
10	37-3753	Spacer - bearing	1
11	37 1654	Grease retainer - right, inner	1
12	37 1340	Bearing - right (Hoffmann 120RS)	1
13	37-3909	Grease retainer assembly - right	1
14	83 2266	Washer - wheel spindle	1
15	14-1307	Nut - wheel spindle (5/8in UN.F.)	1
16	37-3726	Spoke - right	20
17	37 3725	Spoke - left, outer	10
18	37-3724	Spoke - left, inner	10
19	37-3784	Rim (WM3 x 18)	1
20	27-6810	Spoke nipple	40
21	37 3468	Security bolt	2
22	60 2331	Washer - brake lever (.395in x .750in x .048in)	1
23	14 1303	Nut - brake lever (3/8in UN.F.)	1
24	37 4034	Brake lever	1
25	37 1467	Pivot pin - brake rod	1
26	37 4049	Spring - brake lever return	1
27	14-0129	Bolt - torque arm fixing (3/8in UN.F. x 3/4in)	1
28	40 0157	Washer - torque arm fixing (.391in x .781in x .031in)	1
29	14 1303	Nut - torque arm fixing (3/8in UN.F.)	1
30	60 1841	Grease nipple - brake anchor plate	1
31	24 1088	Fibre washer - grease nipple	1
32	14 0305	Nut - torque arm to brake pivot (1/2in UN.F.)	1
33	60 2431	Spring washer - torque arm to brake pivot (.531in x .851in x .092in)	1
34	83-4218	Torque arm and chain guide assembly	1
35	37 3977	Spindle - rear wheel	1
36	37 3857	Brake anchor plate	1
36	37 4117	Brake anchor plate, complete with brake details	1
37	37 3872	Brake cam	1
38	37-3870	Brake pivot	1
39	37-3925	Brake shoe complete - leading	1
40	37-3926	Brake shoe complete - trailing	1
41	37 2328	Spring - brake shoe	2
42	37-4071	Brake pivot pad	2
43	19 7740	Brake shoe lining	2
44	42 5840	Rivet - brake shoe	16

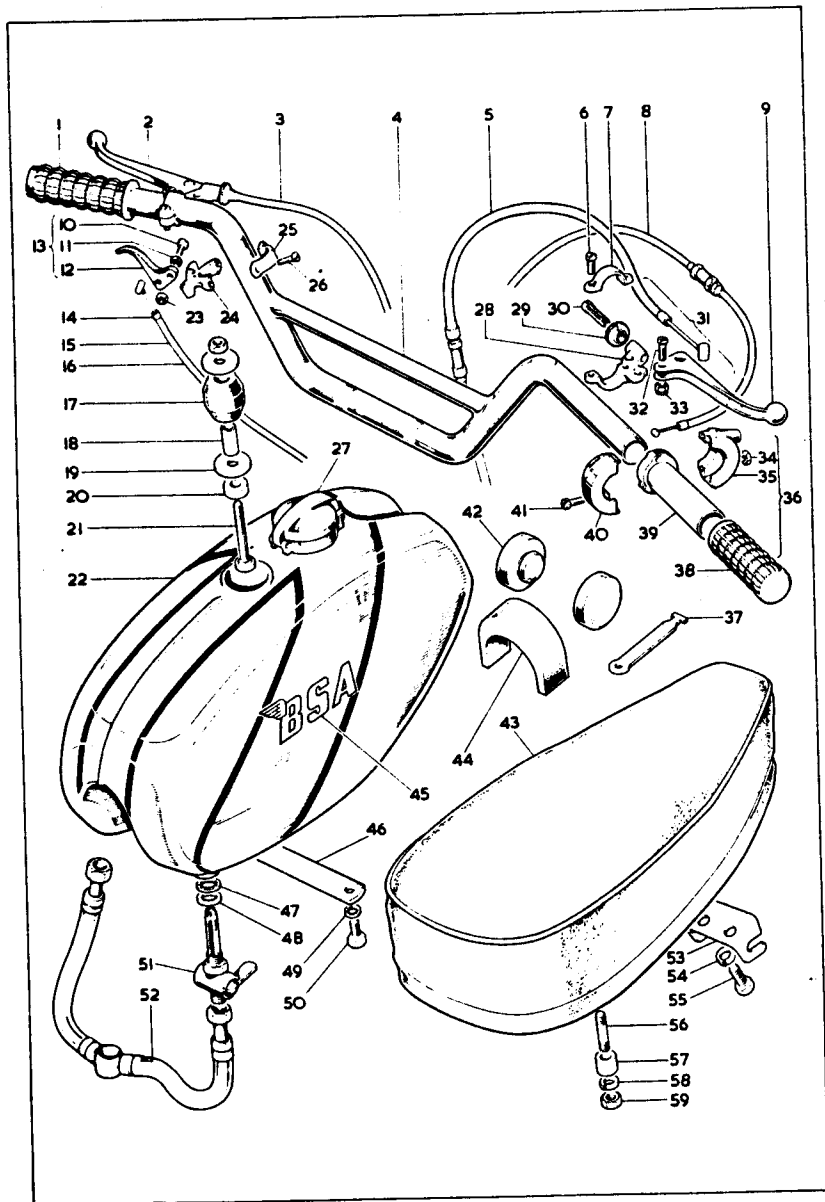
43



Key No.	Spares No.	Description	Per Set
	B.S.A. Manufacturer		
1	60 3880 Amal 532/001	Rubber grip - left handlebar	1
2	Doherty 18/752	Lever only - clutch control	1
2	60 2242 Doherty 19-952M	Lever complete - clutch control	1
3	60 2083	Clutch cable, complete	1
4	97 4062	Handlebar	1
5	60 3535	Front brake cable, complete	1
6	Doherty 11/014	Screw - bracket clamps	4
7	Doherty 12/595	Clamp, bracket - control levers	2
8	60 4208 Amal 530/92	Throttle cable, complete	1
9	Doherty 18/754	Lever only - front brake control	1
10	19 3084 Amal 11/014	Fulcrum screw - exhaust lifter lever	1
11	19 3087	Washer - exhaust lifter fulcrum pin	1
12	19 3085 Amal 18/871	Lever - exhaust lifter	1
13	42 8611 Amal 18/864	Exhaust lifter control, complete	1
14	60 3752	Exhaust lifter control cable, complete	1
15	14 0302	Nut - fuel tank, centre bolt (5/16in UN.F.)	1
16	03 0101	Washer - fuel tank centre, bolt (328in x 1.125in x .092in)	1
17	40 8085	Mounting rubber - fuel tank, centre bolt	1
18	76 4120	Distance tube - fuel tank, centre bolt	1
19	03 0101	Washer - fuel tank, centre bolt (328in x 1.125in x .092in)	1
20	82 7671	Distance collar - fuel tank, centre bolt	1
21	83 2776	Bolt - fuel tank, centre fixing	1
22	83 5111	Fuel tank, complete with filler cap	1
23	19 2763 Amal 18/069	Nut - exhaust lifter fulcrum screw	1
24	19 3086 Amal 18/869	Bracket - exhaust lifter	1
25	19 3083 Amal 12/064	Clamp - exhaust lifter	1
26	19 3082 Amal 376/079	Screw - exhaust lifter clamp	2
27	83 1547	Filler cap - fuel tank	1
28	Doherty 19/003	Bracket - front brake control	1
28	Doherty 19/002	Bracket - clutch control	1
29	60 2072 Doherty 18/1709	Adjuster nut - control cables	2
30	60 2071 Doherty 18/1708	Adjuster sleeve - control cables	2
31	60 2243 Doherty 19/1098M	Lever complete - front brake	1
32	Doherty 18/087	Fulcrum pin - control levers	2
33	Doherty 18/053	Nut, fulcrum pin - control levers	2
34	Amal 532/011	Nut, clamp screw - throttle control	2
35	Amal 532/009	Body - bottom half, throttle control	1
36	60 3877 Amal 532/2	Throttle control, complete	1
37	60 4258	Cable clip - rubber	6
38	Amal 532/002	Rubber grip - right handlebar	1
39	Amal 532/007	Rotor - throttle control	1
40	Amal 532/008	Body - top half, throttle control	1
41	Amal 532/010	Clamp screw - throttle control	2

Note: Where a B.S.A. part number is not quoted, it is replaced by a manufacturer's part number. In this case, application must be made direct to the manufacturers concerned (see page 4 for addresses).

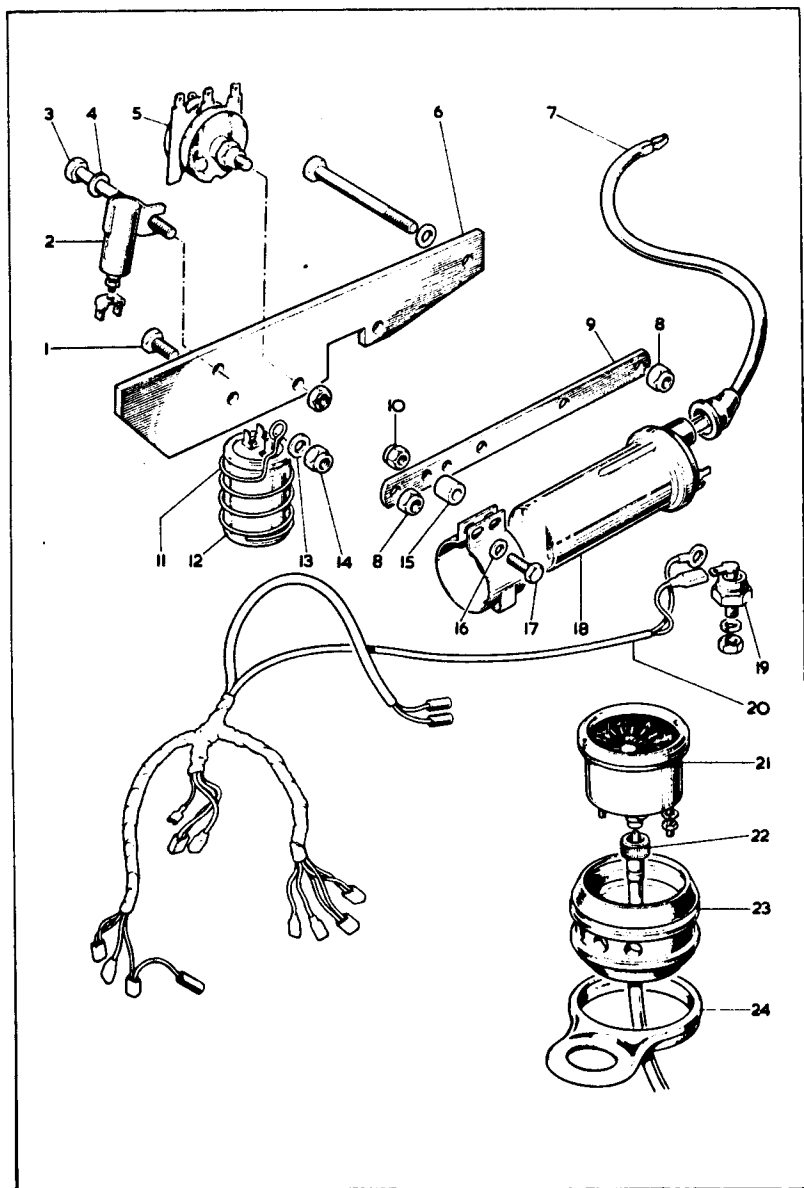
FUEL TANK - SEAT - CONTROLS



FUEL TANK - SEAT - CONTROLS

Key No	Spares No.	Description	Per Set
	B.S.A. Manufacturer		
42	82 9222	Rubber fuel tank steady	2
41	83 2746	Seat complete	1
41	19 6062	Seat cover	1
44	83 2980	Fuel tank mounting rubber, front	1
44	83 4313	Fuel tank mounting rubber, rear	1
45	60 3269	Decal fuel tank	2
46	83 4722	Tie-strap fuel tank	1
47	70 7351	Sealing washer fuel tap	2
48	83 0002	Washer fuel tap	2
49	70 2287	Washer, serrated tank tie-strap	2
50	14 6113	Bolt tank tie strap	2
51	83 2800	Fuel tap	2
52	83 4159	Fuel pipe assembly	1
53	83 2742	Front bracket seat fixing	1
54	60 2428	Washer, spring seat fixing bolt (-344in x .600in x .064in)	2
55	14 0113	Bolt seat fixing, front (5/16in UN.F. x 5/8in)	2
56	21 2166	Stud seat fixing, rear	2
57	83 2745	Distance piece seat fixing, rear	2
58	60 2428	Washer, spring seat fixing, rear (-344in x .600in x .064in)	2
59	14 0302	Nut seat fixing, rear	1

Note Where a B.S.A. part number is not quoted, it is replaced by a manufacturer's part number. In this case, application must be made direct to the manufacturers concerned (see page 4 for addresses).

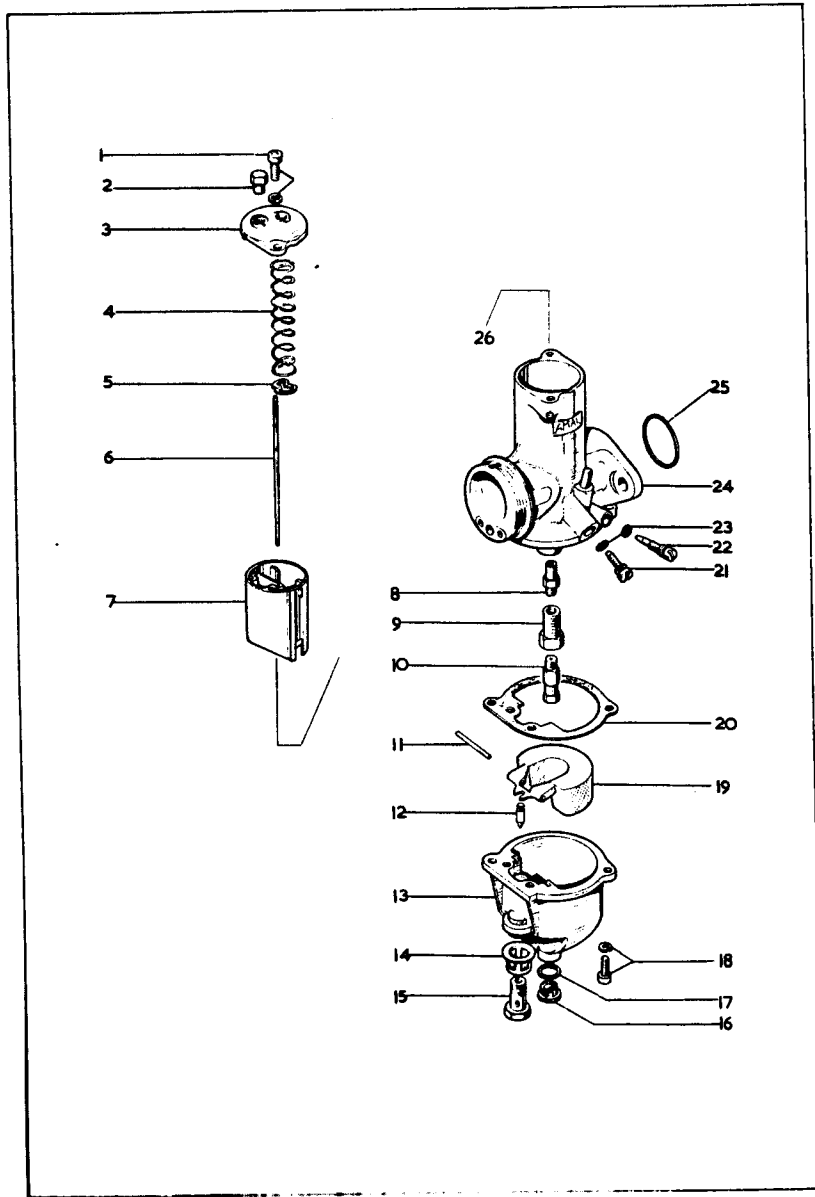


Key No.	Spares No.	Description	Per Set
	B.S.A.	Lucas	
1	14 0102	Bolt - capacitor fixing (1/4in UN.F. x 5/8in)	1
2	60 0995 54441582	Condenser	1
3	14 0214	Bolt - mounting plates fixing (1/4in UN.F. x 4in)	2
4	83 1829	Washer - fixing bolt (.266in x .750in x .080in)	2
5	60 0786 54048008	Rectifier - complete with nut and washer	1
6	83 5106	Carrier plate, electrical equipment	1
7	60 4207 54956432	High-tension lead	1
8	14 1301	Nut - fixing bolt (1/4in UN.F.)	2
9	83 5183	Coil carrier bracket	1
10	14 1301	Nut - coil fixing bolt (1/4in UN.F.)	2
11	83 4765	Mounting spring - capacitor	1
12	82 8319 54170009	Capacitor	1
13	83 1829	Washer - capacitor fixing bolt (.266in x .750in x .080in)	1
14	14 1301	Nut - capacitor fixing bolt (1/4in UN.F.)	1
15	70 5843	Distance piece - coil fixing bolt	2
16	70 8072	Washer - coil fixing bolt	2
17	14 0201	Bolt - coil fixing (1/4in UN.F. x 1in)	2
18	60 2206 54041150	Coil, complete with clip	1
19	68 9602 54048288	Zener-diode, with nut and washer	1
20	60 4198 54561599	Ignition harness	1
	60 4210* 54193096	Lucas connector - capacitor	1
21	19 8953	Tachometer (Smith's RSM 3003/13)	1
22	19 9110	Cable complete - tachometer drive	1
23	60 2600	Rubber cup - tachometer	1
24	97 4026	Mounting bracket - tachometer	1
	60 3711*	Tommy bar - rear wheel	1
	67 6570*	Decal "Made in England"	1
	60 4202*	Label - disclaimer	1

*Not illustrated

Note: Where a B.S.A. part number is not quoted, it is replaced by a Lucas part number. In this case, application must be made direct to Messrs Joseph Lucas Ltd. (see page 4 for address).

CARBURETTER



CARBURETTER

Key No	Spares No.		Description	Per Set
1	B S A No	Amal No.		
1	19 3093	622/086	Screw and washer - top cap	2
2		4/137A	Screw plug - top cap	1
3		928/097	Cap - mixing chamber	1
4	19 3141	622/131	Spring - throttle	1
5	19 3095	622/067	Clip - throttle needle	1
6	19 3137	622/124	Needle - throttle (position 3)	1
7	19 3127	928/060	Throttle slide (No. 3 1/2 cutaway)	1
8		622/122	Needle jet (106)	1
9		622/128	Jet holder	1
10	99 0445	376/100	Main jet (180 c.c.)	1
11	19 3116	622/071	Float spindle	1
12	19 3105	622/068	Float needle	1
13	19 3143	622/055	Float chamber	1
14	19 3048	376/093	Fuel filter	1
15	19 3103	622/078	Banjo bolt	1
16	19 3144	622/147	Drain plug	1
17		622/151	Washer - drain plug	1
18	19 3093	622/086	Screw and washer - float chamber to body	2
19	19 3102	622/069	Float	1
20	19 3106	622/073	Gasket - float chamber	1
21		622/077	Screw - throttle stop	1
22		622/076	Adjusting screw - pilot air	1
23	19 3098	622/082	"O" ring - pilot air and throttle stop screws	2
24		K932/005	Carburettor body, complete	1
25	60 4269*	K932/28	Carburettor complete	1
26	19 2834*	11/163	Washer - carburettor banjo	1
	71 1860*		Adaptor - carburettor to air intake	1
30	19 1090	622/101	"O" ring - carburettor to head	1

* Not illustrated

Note - Where a B S A part number is not quoted, it is replaced by an Amal part number. In this case application must be made direct to Messrs. Amal Ltd. (see page 4 for address).

NUMERICAL INDEX--continued

Spares number	Page number	Key number	Quantity	Spares number	Page number	Key number	Quantity	Spares number	Page number	Key number	Quantity
70-4747	23	21	2	70-9974	13	21	1	71-2749	6	6	1
70-5843	49	15	2	70-9974	13	37	1	71-2751	6	17	1
70-1574	11	44	2	70-9975	13	33	1	71-2771	15	28	1
70-1575	11	12	2					71-2923	15	50	1
70-1580	13	28	1	71-1003	21	2	2	71-2927	27	10	1
70-2271	31	9	1	71-1003	29	33	8	71-2932	27	13	1
70-2287	47	9	2	71-1065	27	28	1	71-2933	17	30	1
70-3172	23	7	1	71-1147	17	14	1	71-2938	9	36	1
70-3751	29	8	1	71-1148	17	26	2	71-2970	11	29	2
70-3768	31	10	2	71-1165	9	25	2	71-3001	5	29	1
70-3768	33	49	4	71-1166	9	26	4	71-3001	17	16	1
70-3789	13	45	1	71-1199	11	22	1	71-3231	13	12	1
70-3821	13	44	6	71-1218	11	38	1	71-3232	13	12	1
70-3833	13	46	1	71-1219	11	33	1	71-3233	13	10	1
70-6026	19	23	1	71-1221	19	21	1	71-3255	9	32	1
70-7299	33	55	2	71-1418	27	33	1	71-3256	9	34	2
70-7351	47	47	2	71-1419	13	43	1	71-3276	25	56	1
70-7354	43	27	2	71-1420	27	26	1	71-3524	33	50	2
70-7850	11	31	1	71-1422	13	22	1	71-3634	11	31	1
70-8005	19	18	1	71-1423	23	35	1	71-3637	13	25	2
70-8005	25	53	1	71-1424	17	29	1	71-3659	5	3	1
70-8009	21	1	1	71-1429	11	20	1	71-3684	21	3	1
80-8010	25	68	2	71-1616	11	20	1	71-3750	33	59	1
70-8010	27	15	2	71-1619	27	7	1	71-3751	33	53	1
70-8011	19	1	2	71-1623	9	31	1	71-3772	31	13	1
70-8014	19	2	1	71-1624	11	32	1	71-3801	9	14	1
70-8015	19	2	1	71-1625	11	42	1	71-8163	23	22	1
70-8022	17	25	2	71-1626	9	22	1	71-8184	15	49	1
70-8040	13	31	1	71-1627	9	10	1	76-4120	45	18	1
70-8041	13	32	1	71-1629	13	8	1	82-4717	35	47	1
70-8043	13	30	1	71-1630	13	8	1	82-7071	45	20	1
70-8071	17	32	4	71-1631	13	39	1	82-7380	35	1	4
70-8072	9	2	1	71-1632	11	28	2	82-7387	31	44	1
70-8072	13	2	3	71-1634	13	7	1	82-8319	49	12	1
70-8072	49	16	2	71-1635	11	17	1	82-8981	9	3	1
70-8084	31	41	1	71-1675	5	1	1	82-9046	29	23	2
70-8084	39	9	4	71-1675	11	1	1	82-9046	29	31	2
70-8088	13	20	3	71-1676	11	27	1	82-9046	29	36	2
70-8088	17	2	2	71-1677	11	25	1	82-9222	47	42	2
70-8088	17	7	2	71-1678	11	26	1	82-9430	35	37	1
70-8094	17	11	1	71-1680	13	27	1	83-0002	47	48	2
70-8100	17	20	4	71-1681	11	24	1	83-1547	45	27	1
70-8104	17	18	3	71-1731	15	53	1	83-1829	35	16	1
70-8106	21	27	1	71-1732	9	15	1	83-1829	49	4	2
70-8111	21	26	1	71-1735	9	20	1	83-1829	49	13	1
70-8143	15	50	1	71-1736	9	12	1	83-1969	31	29	1
70-8144	13	4	1	71-1860	51	1	1	83-2005	29	29	1
70-8147	13	47	1	71-1870	5	1	1	83-2007	39	12	2
70-8148	13	3	1	71-1870	13	34	1	83-2012	31	26	2
70-8150	23	6	1	71-1879	9	28	2	83-2040	31	14	1
70-8151	25	66	1	71-2115	17	24	1	83-2212	31	32	1
70-8152	25	65	1	71-2119	17	12	1	83-2228	29	21	1
70-8153	23	9	1	71-2121	17	15	1	83-2233	31	24	2
70-8154	23	3	1	71-2122	17	23	1	83-2244	31	27	2
70-8157	23	2	1	71-2123	17	13	1	83-2245	31	28	2
70-8158	9	35	1	71-2124	17	22	1	83-2266	43	14	1
70-8158	23	4	1	71-2152	6	1	2	83-2616	31	45	1
70-8162	23	1	1	71-2153	11	36	2	83-2660	41	12	1
70-8164	23	20	1	71-2154	6	1	2	83-2742	47	53	2
70-8169	23	36	3	71-2155	6	1	1	83-2745	47	57	2
70-8177	27	4	4	71-2155	11	35	1	83-2746	47	43	1
70-8180	13	42	1	71-2156	6	1	1	83-2776	45	21	1
70-8215	11	15	2	71-2157	6	1	1	83-2800	47	51	2
70-8254	13	13	1	71-2513	13	26	2	83-2980	47	44	1
70-8315	17	27	1	71-2547	19	24	1	83-3014	31	25	2
70-8737	27	25	1	71-2549	11	37	1	83-3035	35	1	1
70-8782	27	2	2	71-2586	5	1	1	83-3076	35	43	1
70-8896	13	8	1	71-2586	11	1	1	83-3077	37	53	1
70-9041	17	10	1	71-2592	9	17	1	83-3078	35	41	1
70-9383	13	9	1	71-2593	9	18	1	83-3094	31	21	2
70-9383	13	13	1	71-2649	13	36	1	83-3095	31	19	2
70-9384	11	23	1	71-2650	13	38	1	83-3165	31	3	1
70-9479	13	16	1	71-2652	13	71	1	83-3299	35	3	1
70-9430	13	11	1	71-2656	21	25	1	83-3305	35	4	1
70-9431	13	14	1	71-2658	21	28	1	83-3473	35	7	1
70-9526	23	7	1	71-2748	11	30	1	83-3549	39	5	4
70-9737	21	7	1	71-2749	11	19	1	83-3554	39	40	1

NUMERICAL INDEX--continued

Spares number	Page number	Key number	Quantity	Spares number	Page number	Key number	Quantity	Spares number	Page number	Key number	Quantity
83-1156	29	26	1	83-3165	31	3	1	99-0122	31	40	4
83-1181	35	20	3	83-3299	35	3	1	99-0445	51	10	1
83-1818	29	1	1	83-3305	35	4	1				
83-1840	29	4	1	83-3473	35	7	1				
83-1998	29	11	1	83-3549	39	5	4				
83-1998	31	22	1								
83-4121	35	50	1								
83-4159	47	52	1								
83-4218	43	34	1								
83-4277	33	51	1								
83-4278	33	51	1								
83-4313	47	44	1								
83-4408	31	23	1								
83-4500	29	35	1								
83-4501	29	28	1								
83-4505	31	23	1								
83-4512	29	9	1								
83-4684	31	17	1								
83-4685	31	17	1								
83-4722	47	46	1								
83-7451	49	11	1								
83-8106	49	6	1								
83-8108	5	5	1								
83-8108	29	10	1								
83-8109	33	54	1								
83-8110	33	54	1								
83-8111	45	22	1								
83-8114	37	51	1								
83-8115	37	52	1								
83-8166	35	11	1								
83-8180	33	60	1								
83-8183	49	9	1								
83-8184	5	1	1								
83-8185	35	22	1								
83-8187	35	21	1								
83-8188	35	19	1								
97-0430	23	26	2								
97-0722	39	6	2								
97-3765	9	33	2								
97-3893	39	29	2								
97-3894	35	49	1								
97-3894	39	28	2								
97-3947	39	32	2								
97-3996	39	23	2								
97-4001	39	36	2								
97-4002	39	37	2								
97-4003	39	25	2								
97-4004	39	20	2								
97-4009	39	22	2								
97-4010	39	24	2								
97-4011	39	39	2								
97-4012	39	27	2								
97-4020	39	26	2								
97-4026	49	24	1								
97-4028	39	10	1								
97-4031	39	11	2								
97-4032	39	35	1								
97-4033	39	35	1								
97-4062	45	4	1								
97-4072	35	30	1								
97-4076	39	21	2								
97-41											

B.S.A. SPARES STOCKISTS (U.K.)

Save time by contacting your nearest B.S.A. Stockist for B.S.A. Replacement Parts, Replacement Parts Lists, Instruction Books, Transfers etc.

All B.S.A. Dealers carry stocks of B.S.A. Replacement Parts, but the following appointed Stockists maintain a comprehensive range.

Town	Name of Stockist	Address	Telephone No.
Aberdeen	George Cheyne (Cycles) Ltd.	147-149 Holburn Street	0224 50341/2
Accrington	N. Goulding Ltd.	392/6 Blackburn Road	0254 31221
Aldershot	Archer & Sons	149 Victoria Road	0252 2023/4
Ashington	Mains of Ashington	1 Laburnum Terrace	3204
Banbury	Eddie Dow Ltd.	Southam Road, Oxon	0295 50141
Barnsley	T. Garner & Son	New Street	0226 2866
Barnstaple	Godfrey Sampson	129 Boutport Street	0271 2952
Barrow in Furness	E. & E. Roberts	162 Rawlinson Street	1104
Basingstoke	H. J. Gifford Ltd.	Giffords Corner	0256 5266/7
Bath	R. U. Holoway & Son	32, 33 and 34 St. Johns Road, Bathwick	0225 64101/5084
Beccles	L. C. Green & Son (Beccles) Ltd.	Peddars Lane	0502-71 2370
Belfast	Andrews Motor Cycle Depot	13 Gresham Street	25747 & 26915
	Ray Spence M/C	Milltown, Shawsbridge	642878
Birmingham	C. E. Cope & Sons Ltd.	477-489 Hagley Road	021-429 3501
		Smethwick, Warley, Worcs.	
	Aston Auto Motors	33-41 Potters Hill B'ham 6	021-554 2091
	Vale-Onslow (Mtrs)	116 Stratford Road B'ham 11	021-772-2032
Blackpool	J. Hall & Son (Blackpool) Ltd.	102-106 Devonshire Road	0253 32957
Bletchley (Bucks.)	A. W. Mayle	13 Victoria Road	09032-2211
Bolton	Charlie Robinson (Motor Cycles) Ltd.	119 & 121 Higher Bridge Street	0204 23931
		16 Listerhills Road	0274 33971
Bradford 7	J. K. Hirst Ltd.	5 Crown Street	
Brentwood (Essex)	Brentwood Cycles	11 Derwen Road	0042 3082
Bridgend	Waterton Cross Motors	104 North Road	0273 61391
Brighton	Redhill Motors (Brighton) Ltd.	96-100 Grosvenor Road	0272 551538
Bristol	Fowlers of Bristol Ltd.	98a-100 Risbygate Street	0284 4637
Bury St. Edmunds	C. J. Bowers & Son	Union Lane	0223 56225
Cambridge	Hallets of Cambridge Ltd.	St. Dunstons Street	0227 62275
Canterbury	Hallets of Canterbury Ltd.	(Division of Invicta Motors)	
Cardiff	Car Distributors (Cardiff) Ltd.	B.S.A. House, 134-140 City Road	0222 30022
Carlisle	W. T. Tiffen & Sons	30 Bridge Street, Caldewgate	0228 25024
Carmarthen	Eddie Stephens Motors Ltd.	22-23 Water Street	0256 6233
	Bardsley Motor Cycles Ltd.	Brunswick Buildings, Castle Sq.	
Chelmsford	Hadlers Garage Ltd.	200 Baddow Road	0245 54844
Cheltenham	H & L. Motors Ltd.	Bath Street	0242 22887
Chester	Davies Bros. (Chester) Ltd.	Pierpoint Lane, Bridge Street	2444 25510
Chesham	Walter Wrang Ltd.	95 Lordsmill Street	0246 3622
Chichester	Fisher Motor Cycles	185/9 Barrack Road	
Chislehurst (Mants)	Peter Hammond Motor Cycles	44 Watermoor Road	0285 2467
Cirencester	P. A. C. Motor Cycles	36-38 Military Road	0206 74765
Colechester	Len Bayles Ltd.	528-530 Stoney Stanton Road	0203 87083
Coventry	Albany Motor Cycle Spares	51 Warwick Road	0203 22453
Dagenham	Reg Kirby	Rowallen Parade, Green Lanes	
Darlington	White Bros (Darlington) Ltd.	201-209 Northgate	0325 07757

B.S.A. SPARES STOCKISTS (U.K.)

Town	Name of Stockist	Address	Telephone No.
Derby	Ingles Provincial Garages Ltd.	Walbrook Road	0332 22920
	Wilemans Motors	99-105 Siddals Road	0332 42813
Dunconter	Cusworths Distributors Ltd.	Princegate	0302 4594
	Raynes Motors Ltd.	10 Cleveland Street	0302 2365
Dundee	J. Gow Ltd.	30/34 Session Street	0382 26705
Dunfermline	Angus Campbell Ltd.	40-50 Campbell Street	22903
Edgware (Middlex)	Rex Judd Ltd.	415 Burnbank, Broadway	01-952 6911
Enfield	Excel Motors (Enfield) Ltd.	265 Hertford Road, Enfield	01-804 3568
Easter	P. Pike & Co. Ltd.	Alphington Street	0392 58241
Fleet	Ken Heanes Ltd.	27-29 Reading Road	0254 7673
Glasgow	Victor Devine Co. Ltd.	219-223 Gt. Western Road	041-332 6264
Glossop	Mead & Tomkinson	143 Westgate Street	0452 21794
Gosport	Everetts (Motor Cycle Agents)	55A Forton Road	
Grimsby	H. J. Gresswell & Son Ltd.	13-15 Osborne Street	0472 2202
Gurnsey	Millard & Co. Ltd.	Victoria Road	0481 20777
Guthrie	Minear & Bruce	Bedford Road	0483 61243
Haverhill	Len Williams	70 Pensby Road	051-342 1510
Hemel Hempstead	T. W. Kirby	10 Roneo Corner	48785
Huddersfield	G. A. Earnshaw Ltd.	Manchester Road	0484 21232
Hull	Miles (Hull) Ltd.	353-359 Anlaby Road	0482 23529
Ipswich	Revelts Ltd.	53-67 Norwich Road	0473 53726/7
Jorvik	Colebrooks Ltd	1-2 Victoria Street, St. Helier	Central 20531
Kirkcaldy	County Motors (Kirkcaldy) Ltd.	Junction Road	51061
Lancaster	J. Wooldridge & Son	Western Road	2521
Lansington Spa	Jack Butler & Co.	1a Clarendon Avenue	0926 23943
Leeds	Watson Cairns & Co. Ltd.	157-158 Lower Briggate	0532 33024/5
Leicester	A. E. Milne & Son	190-192 Belgrave Gate	0533 24272
	J. Gunnell	100 Welford Road	0533 59678
	Cundle Motors Ltd.	7-9 Pembroke Place	051-709 6814
Liverpool	James Bowen & Sons (Llwhaden)	Llwhaden, Nr. Narbeth, Pem.	
Llwhaden	L. E. Atkinson (Motors) Ltd.	415-417 Barking Road, East Ham	01-472 0427
London, E 6	Ruggs	169-175 High Road, S. Woodford	01-504 1108
E 18	W. E. Humphreys Ltd.	123 Essex Road, Islington	01-226 4206
N 1	Stocombes Ltd.	251-253 Neasden Lane, Neasden	01-450 8055
N W 10	Writers Ltd.	161-165 Kennington Lane	01-735 1362
S E 11	F. Parks & Son Ltd.	408 High Street, Lewisham	01-690 2676
S E 13	Harvey Owen	181-183 Walworth Road	01-703 0282
S E 17	Cleares of Woolwich Ltd.	289 Plumstead High Street	01-854 0174
S E 18	Pride & Clarke Ltd.	158 Stockwell Road	01-274 6251
S W 9	Owens Ltd.	19 Battersea Rise, Clapham Jct.	01-228 7816
S W 11	Elite Motors (Tooting) Ltd.	951-961 Garratt Lane, Tooting Broadway	01-672 1200
S W 17	Kays of Ealing Ltd.	8-10 Bond Street	01-567 2387
W 5	H. E. Buttler	68-72 Tamworth Road	0607-6-2930
Long Eaton	B. G. England (Luton) Ltd.	352 Leagrove Road	0582 51241
Luton	Redhill Motors (Maidstone) Ltd.	The Broadway, Maidstone	0622 53096
Maidstone	Alex Parker	322 Barlowmoor Road	061-881 3266
Manchester	R. W. Horner & Sons	45 Ayres Road, Old Trafford	061-226 2295
Manifield	Henstocks	128 Chesterfield Road	0623 25311
Matlock	David Tye	Water Lane, Cromford, nr. Matlock	0629 83231
Middlesbrough	J. T. Dickinson (Middlesbrough) Ltd.	Cleveland Service Station, South Bank Road	0642 47934/5

B.S.A. SPARES STOCKISTS (U.K.)

Town	Name of Stockist	Address	Telephone No.
Neath (Glam.)	Jim Morgan	37 Windsor Road	0639 2661
Newcastle-on-Tyne	Kens (Motor Cycles)	246 Westgate Road	0632 21793
Newport (Mon.)	R. J. Ware & Sons	83 Commercial Street	0633 66026
	Beechwood Motors	426 Chepstow Road	0633 72338
Northampton	Mick Berrill M/C Ltd.	1 Henry Street	0604 36760
Northwich (Cheshire)	Northwich Motorcycles Ltd.	129/133 Witton Street	0606 2720
Norwich	Chapmans (Norwich) Ltd.	36-42 Duke Street	0603 29825
Nottingham	Kingston Motorcycles Ltd.	1-3 Wilford Street	0602 42031
Nuneaton	A. Bennet & Son Ltd.	Station Street Garage, Station Street, Atherstone	0682 2894 284-4076
Oldbury	Tom Swallow	13 Freeth Street	021-552 2225
Oxford	Faulkner & Son	55 Walton Street	0865 57279
Peterborough	W. H. Balderston	339 Lincoln Road, Millfield	0733 5470
Plymouth	W. D. Spencer & Son	194 Keyham Road, Devonport	53547
Poole	Huxhams	149-155 Ashley Road, Parkstone	0201-4532
Portsmouth	Percy Kiln Ltd.	65-67 Elm Grove	0705 23734
Pulborough	Gray & Rowsell (Bury) Ltd.	Bury Gate, Pulborough	0798-2304
Radcliffe	Will Lord (Motor Cycles) Ltd.	115 Blackburn Street	061-723 2002
Reading	Fortesque Bros. Ltd.	1-2 West Street	0734 54143
Rotherham	Ernest Cross, M/C Specialists	Domine Lane, S60 1QA	0709 3987
Sheffield	Leather & Simpson Ltd.	Flora Street Garage	0742 343173
Shrewsbury	J. R. Meredith	Coleham Head	0743 6529
Sittingbourne	Scoones Garage	9 West Street	0795 72866
Slough	Sid Moram	Wexham Corner, High Street	0753 23767
Southampton	Alec Bennett Ltd.	152 Portswood Road	0703 54081
St. Albans	Clarks Ltd.	164 London Road	0727 53153
Stafford	Motor Cycle Mart	38 Mill Street	0785 2777
Stanford-le-Hope	Nelson & Ford Ltd.	20 Corringham Road	0375-86-2823
Stockport	H. D. Cartwright (Motor Cycles)	74 Buxton Road, Heaviley	061-480 5180
Stoke-on-Trent	J. & N. Basset	Howards Place, Shelton	0782 22890
Sunderland	T. Cowie Ltd.	Millfield	70491
Swansea	J. Brayley	25 Dillwyn Street	0792 54733
Tamworth	Motor Cycle Shop (Tamworth) Ltd.	2-3 Market Street	0823 2711
Taunton	Vincent & Jerrom Ltd.	38 East Reach	0823 2378
Thames Ditton	Comerfords Ltd.	Portsmouth Road, Thames Ditton	01-398 5531
Troon	Cooper Bros.	117-129 Templehill	925
Truro	David Paull Motor Cycles	Central Garage, Blackwater	087-256-271/601
Tunbridge Wells	F. R. Philpot	44 St. Johns Road	0892 22184
Twickenham	Blays of Twickenham Ltd.	192-199 Heath Road	01-894 2103
Walsall	The Motor Cycle Mart (Walsall) Ltd.	12 Ablewell Street	23363
Warrington	Jack Frodsham Ltd.	60 Winwick Street	0925 34713
Watford	Lloyd Cooper & Co. Ltd.	96 Queens Road	0923 21125
Wellington (Salop)	Bill Doran Garages	Park Street	0952 55441
Weybridge	Lewis & Sons (Weybridge) Ltd.	51 Church Street	0932 42210
Wolverhampton	C. E. Cope & Sons Ltd.	169 Stafford Street	24605/6
	George Lathe	114 Salop Street	24516
Worcester	W. J. Bladder & Son	52 Sidbury	0905 22438
Wrotham	Burder Motor Cycles	15 Town Hill	0978 3788

OVERSEAS DISTRIBUTORS

CENTRAL AMERICA AND CARIBBEAN

BAHAMAS	Nassau Bicycle Company, P. O. Box 191, Bay & Market Streets, Nassau.
BARBADOS	Holmes Williams & Purvey Limited, P.O. Box 444, Hamilton.
BARBADOS	M. G. Tucker & Company, Bridgetown, Barbados.
BRITISH HONDURAS	Santiago Castillo Limited, P.O. Box 69, Belize.
CUBA RICA	Almacén la Granja S.A., Apartado Postal 'r' San José.
DOMINICA	A. C. Shillingford & Company, P.O. Box 123, The Garage, Roseau.
DOMINICAN REPUBLIC	General Sales Company, Apartado 746, Santo Domingo R.D.
GUADELOUPE	Ets Albert-Levault, Gerard, B.P. 248, Ponte-a-Pitre.
GUERNSEY	Glean's Garage, St. Patricks.
HAITI	Jules Taverner, c/o Motor Service, Rue Pavéno No. 22, P.O. Box 1225, Port au Prince.
HONDURAS	M. Liebers, Apartado 51, Tegucigalpa D.C.
JAMAICA	B.S.A. Agency Limited, P.O. Box 3, Denham Town, Kingston 14.
PURTO RICO	Reyes Cycle Sales, 108 San Pablo Street, Horizon, Riro Piedras.
ST. LUCIA	Peter & Company, Castries.
ST. VINCENT	Corea & Co Limited, P.O. 122, Bat Street, Kingston, St. Vincent, Windward Islands.
TRINIDAD	J. K. Bayne Limited, 19 Richmond Street, P.O. Box 323, Port of Spain.
VIRGIN ISLANDS	H. Rhudel White, PO. Box 622, St. Thomas.

NORTH AMERICA

CANADA	Raymond Burke Motors Limited, P.O. Box 3401, 65 Bessemer Road, London 12, Ontario. Fred Deeley Limited, 595 West 7th Avenue, Vancouver, British Columbia.
MEXICO	Watson Phillips & Cia Succs, S.A., Apartado Postal No 67, Mexico D.F. Alejandro Dominguez Font, Calle 60, Num 536, Merida, Yucatan.
U.S.A.	Birmingham Small Arms Co. Inc. P.O. Box 6790, Towson, Baltimore, Maryland 21204 (East Coast). Birmingham Small Arms Co. Inc. P.O. Box 275, Duarte, California 91010 (West Coast)

SOUTH AMERICA

BOLIVIA	Importadora Zbinden & Cia, Casilla 194, La Paz.
BRAZIL	Mesbla S.A., Rua do Passeio 42/56, Rio de Janeiro. Philippe Daou S.A., Caixa Postal 254, Manaus, Amazonas, (Manaus Free Zone only). Commercial Importadora Pareja C.A., Casilla 841, Guay aquil.
ECUADOR	The Falkland Island Trading Co. Limited, West Store, Port Stanley.
EL SALVADOR	G. A. Portillo, 2a, Calle Oriente No. 337, San Salvador.
URUGUAY	Linn & Cia S.A., Casilla 1027, Montevideo.
VENEZUELA	Muto Palace C.A., Edif Oriol - Av. El Progreso, Urb las Acacias, Caracas.

AUSTRALASIA AND OCEANIA

NEW SOUTH WALES	Burling & Simmons (Pty) Limited, 150 Parramatta Road, Auburn, South Brisbane 2144.
QUEENSLAND	Brisk Sales, 170 Logan Road, Buranda, South Brisbane 4102.
PERTH	Mortlock Sales & Service, 914 Hay Street, Perth.
VICTORIA	Frank Mussett & Co. (Pty) Limited, 219 Sydney Road, Brunswick, Melbourne, Victoria 3056 Manly's Pty Limited, 126 Thistlerwaite Street, South Melbourne, Victoria 3205.
SOUTH AUSTRALIA	Taylor's Wholesale (Pty) Limited, Box 579e, 27 Gilbert Street, Adelaide.
NORTHERN TERRITORY	Jack Veal's Motor Cycles Limited, 9 Daly Street, Darwin.
TASMANIA	Max Stephens Motors (Pty) Limited, 32 Charles Street, Moonah-Hobart.
NEW ZEALAND	Percy Coleman & Co. Limited, P.O. Box 11, Wanganui.
COOK ISLANDS	United Island Traders Limited, P.O. Box 1, Rarotonga.
FIJI ISLANDS	Morris Hedstrom Limited, Suva.
GIBBERT & ILLIS ISLANDS	Morris Hedstrom Limited, Apia, Samoa.
NEW CALIFORNIA	Agence Marine Agricole Electrique, Boite Postale 473, Noumea.
TAHITI	H. Jean Hamon, Papeete.
TONGA	E. M. Jones, P.O. Box 34, Nukualofa, Tonga Islands.

EUROPE

AUSTRIA	Ferdinand Eichler, Hegelgasse 5, Wien 1/1.
BELGIUM	Ets. J. Vanden Borre & Fils, S.P.R.L., 74, Rue de la Poastorale, 1080 Bruxelles.
CYPRUS	P. G. Sykas, St. Andrew Street, 107, P.O. Box 26, Limassol.
DENMARK	Hansen A/S, Gl Kongevej 127-131, 1850 Copenhagen V, Denmark.
FRANCE	C.G.C.I.M., 17 Rue Du Debarcadere, Paris 17.
WEST GERMANY	B.S.A. (Deutschland) Motorrad GmbH, 6756 Kindsbach, Industriegelände.

OVERSEAS DISTRIBUTORS

FINLAND	S. & N. Osakeyhtio, Bulevarden 5, Helsingfors.
GREECE	Panamir E.P.E., Avenue Sygrou 194, Athens, Greece.
ICELAND	Falkinn Limited, P.O. 1427, Reykjavik 8, Sudurland-braut.
IRELAND	Huet Brothers Limited, 7/8 Bachelor's Walk, Dublin 1.
ITALY	Ghe-Bu S.R.L., Viale Gian Galeazzo 29, Milan 20136.
LUXEMBOURG	Motor Hall S.A.R.L., 48 Rue de Fort, Neyperg, Luxembourg-Gare.
MADEIRA	Moto Stand, Avenida de Zarco 18, Funchal.
MALTA G.C.	The John Bull Ironmongery Stores, No. 1 Block, St. John's Street, Valetta.
NETHERLANDS	Hart Nibbrig & Greeve N.V., P.O. Box 44, Sassenheim, Warmonderweg 12.
NORWAY	Erling Sande A/S, Hausmannsgt 27, Oslo.
PORTUGAL	Silva Neto & C.A. LDA., Apartado 11, Curia, Anadia.
SPAIN	Movilauto S.A., Bravo Murillo 36, Madrid 3.
SWEDEN	AB E. Fleron, P.O. Box 186, S-201 21 Malmo 1.
SWITZERLAND	Van Leisen S.A., Rue de la Synagogue 34, 1211 Geneva 11.
TURKEY	Hostettler A.G., Bahnhofstrasse 6310, Sursee.
	Ottas, Turkish Automobile Trade Company, Karakoy, P.O. Box 237, Hezaren Caddesi 61/63, Karakoy, Istanbul.

ASIA

ABU DHABI	Salim Ebrahim Al-Saman, P.O. Box 271, Abu Dhabi.
BAHRAIN	United Commercial Agencies, P.O. Box 166, Bahrain.
BURMA	Vavasseur Levetus Export Limited, 6 Lloyds Avenue, London, E.C.3.
CAMBODIA	Comin Khmere S.A., B.P. 625, Phnom Penh.
CEYLON	Cargills (Ceylon) Limited, P.O. Box 23, Colombo.
CHINA REP.	M. D. Ewart & Co. Limited, Riverbank House, 67 Upper Thames Street, London E.C.4.
DUBAI	Saeed & Mohammed Al-Naboodah, P.O. Box 1200, Deira-Dubai.
HONG KONG	British Bicycle Company, 8 Hennessy Road.
INDIA	Vavasseur Levetus Export Limited, 6 Lloyds Avenue, London E.C.3.
INDONESIA	P. T. Platon, Post Box Dak, 1266, Djakarta.
IRAN	H. Mohammed Tavakolipoor Trading Firm, Ave. Boozariomehri, Teheran.
ISRAEL	Ofer Motor Company, 6 Hasanda Street, Tel-Aviv.
JAPAN	Balcom Trading Co. Inc., Fukoku Building, No. 2, 2-Chome, Uchisaiwai-Cjo., Chiyoda-ku, Tokyo.
JORDAN	The Near East Engineering Co. Ltd., P.O. Box 1838, Amman.
KOREA	Continental Industries Corporation, P.O. Box 1150, Seoul, Korea.
KUWAIT	Kuwait National Trading Co., P.O. Box 554, Kuwait, Arabia.
QATAR	Darwish Automobiles, P.O. Box 40, Doha, Qatar, Arabian Gulf.
SABAH	Harrisons & Crossfield Limited, 1 to 4 Gt. Tower Street, London E.C.3 at: P.O. Box 22, Kota Kinabalu; P.O. Box 131, and 132 Sandakan; P.O. Box 7, Labuan; P.O. Box 5, Tawau; (Brunei): P.O. Box 25, Brunei; P.O. Box 16, Kual Belait, State of Brunei.
SARAWAK	Kion Seng Hardware Sdn BHD, P.O. Box 1079, Kuching.
SAUDI ARABIA	Ebrahim Abdullah Juffali & Bros., P.O. Box 297, Jeddah.
SINGAPORE	Cycle & Carriage Co. Limited, P.O. Box 142, Orchard Road.
SYRIA	M. Chafik El Khiami, Rue El Nasr 169, Damascus.
TAIWAN	Yah Sheng Chong Yung Kee Co. Limited, 198 Nanking East Road, Section 2, Taipei.
THAILAND	Wantana Yonta Company, 931/6-7 Rama 1st Road, Pathoomwan, Bangkok.

AFRICA

CANARY ISLANDS	J. G. Suarez, Nicholas Estevarez 4, P.O. Box 2009, Puerto de la Luz, Las Palmas.
CAMBODIA	The Fako Automobile Company (Autobecker Cameroons), P.O. Box 13, Buca, West Cameroons.
EGYPT	El Nasr Export & Import Company, 28A Talaat-Harb Street, Cairo.
ETHIOPIA	Mahmoud & Abd Elrazik Aly, 47 Rue Ramses, Cairo.
	Arabian Trading Co., Main Office, P.O. Box 23, 155 Cunningham Street, Addis Ababa.
	Red Sea Branch, P.O. Box 1089, Asmara.
	French West Africa Company, P.O. Box 297, Bathurst.
	Heads (Ghana) Limited, P.O. Box 1888, Accra.
	C.I.A. Two Wheels Dept, B.P. 1280, Abidjan.
	National Industrial Company, Omar Mukhtar Street, No. 13, Tripoli, Libya.
	Likongwe Merchants & Developments Ltd, P.O. Box 289, Likongwe, Malawi.
	Compagnie de Niger Francaise, P.O. Box 548, Bamako.

OVERSEAS DISTRIBUTORS

MALIBITUS	Lesing & Co. Limited, 32 Royal Street, P.O. Box 548, Port Louis.
MALIBITANIA (REP.)	Cie du Niger Francaise, Boite Postale No. 230, Saint Louis, Senegal.
MOZAMBIQUE	Imbu Marques Cerejeira, Caixa Postal No. 1002, Lourenco Marques, Mozambique.
MURITIA	French West Africa Company, Motorcycle Department, PMB.2344, Lagos.
MURITIA & GUINEA	Nunes & Irmao, C.P. 83 Bissau.
SEYCHELLES	Mahe Services Limited, Victoria, Mahe.
SENEGAL	Nouvelle Societe Commerciale Africaine, P.O. Box 397, Dakar.
REP. OF S. AFRICA	A.M.D. (P.T.Y.) Ltd., 143 Main Street, Johannesburg.
LESBANIN	Rizakallah Abdulkerim Boustany, P.O. Box 5270, Beirut.
MAI AYMA	Cycle & Carriage Co. (M) Limited, 362 Jalan Tuank Abdul Rahman, Kuala Lumpur.
NEPAL	Nepal Construction & Engineering Corp., Priv. Ltd., P.O. Box 156, Kathmandu.
OKINAWA	Pan Pacific Company, P.O. Box 16, Kadina, Okinawa, Ryukyu Islands.
PHILIPPINES	Campus Motors, P.O. Box 176, Quezon City.
SUDAN	Geo. Jerjan & Sons, P.O. Box 269, Khartoum.
TANZANIA	International Motor Mart Limited, P.O. Box 9060, Dar-es-Salam.
TUNISIA	Sotudiem, 35 Rue de Marseille, Tunis.